



Model Number

KCD2-E2

Sensor output interface terminal

Features

- 1-channel terminal amplifier
- NAMUR sensor input
- DC 24 V supply voltage
- Standard interface for prevention of signal transmission errors
- Switching status indicator, yellow LED
- Short-circuit proof electronic output
- Low noise sensitivity
- Compact terminal housing
- Clips onto standard 35 mm rail to DIN EN 50 022
- Protection degree IP20

Matching system components

NJ5-18GK-N-150+KCD

Inductive proximity switches

Technical data

Functional safety related parameters

MTTF_d 1837 a

Indicators/operating means

LED yellow switch output

Electrical specifications

Operating voltage U_B 10 ... 30 V DC

Ripple $\leq 10 \%$

Operating current approx. 22 mA

Input

Connection terminals 1+, 2-

Connectable sensor types NAMUR

Pulse length/pulse interval $\geq 0.5 \text{ ms} / \geq 0.5 \text{ ms}$

Short-circuit current approx. 8 mA

Sensor supply 8 V DC, max. 9 V DC at input resistance min. 562 Ω

Switching point 1.2 ... 2.1 mA hysteresis approx. 0.2 mA

Lead monitoring without

Trip value 1 kHz

Output

Connection terminal 4+

Current 200 mA short-circuit protected

Transistor PNP

Signal level $U_B - 1.1V$

Transfer characteristics

Mode of operation NO

Switching frequency 1 kHz

Ambient conditions

Ambient temperature -25 ... 70 °C (-13 ... 158 °F)

Storage temperature -25 ... 85 °C (-13 ... 185 °F)

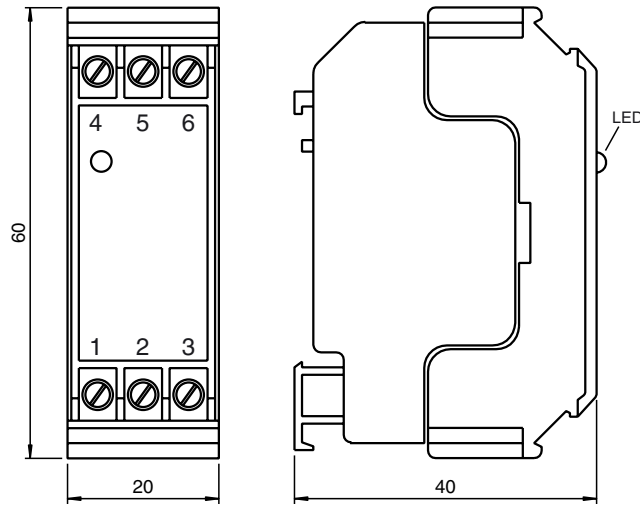
Mechanical specifications

Connection self-opening apparatus connection terminals, max. core cross-section 0.34 ... 2.5 mm²

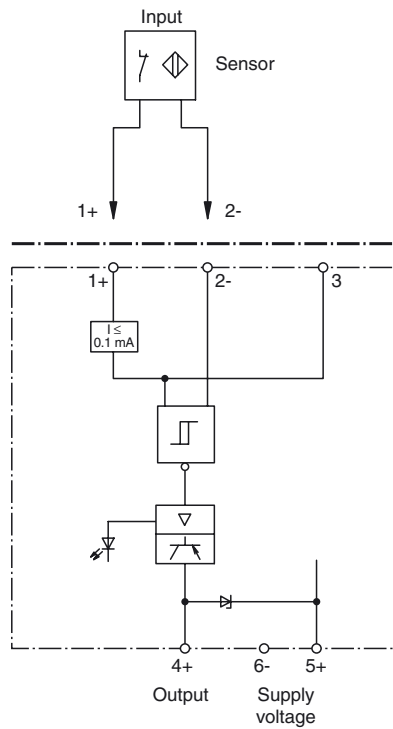
Mass 60 g

Dimensions 20x60x40 (in mm)

Dimensions



Electrical connection



Release date: 2011-03-30 10:12 Date of issue: 2011-03-30 018355_ENG.xml