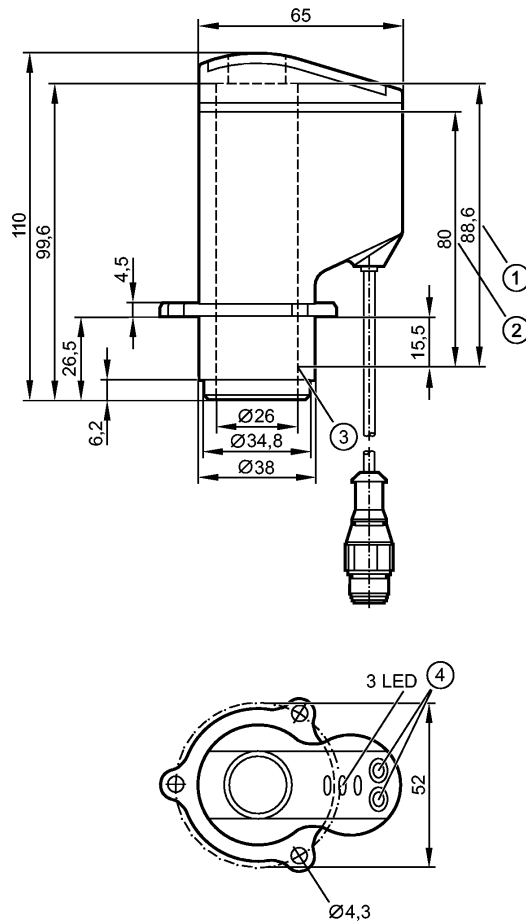


IX5010

IX-3080-BPKG/3LED/0.3M/US

Valve sensors



- 1: Max. spindle stroke
- 2: Measuring distance
- 3: Initial value of the measuring range (zero point)
- 4: Programming buttons



Product characteristics	
Rising stem valve sensor	
Cable with connector	
Position feedback for seat valves and diaphragm valves	
Absolute distance measurement	
Monitoring of the valve seal	
3-hole flange	
Measuring range 0...80 mm	
Electrical data	
Electrical design	DC PNP
Operating voltage [V]	18...36 DC
Current consumption [mA]	42 (24 V)
Protection class	III
Reverse polarity protection	yes
Outputs	
Output function	3 x normally open
Voltage drop [V]	< 2.5
Current rating [mA]	100

IX5010

IX-3080-BPKG/3LED/0.3M/US

Valve sensors

Short-circuit protection	yes (non-latching)
Overload protection	yes

Monitoring range

Resolution [mm]	0.2
Measuring range [mm]	0...80
Max. target speed [m/s]	1
Target	cylindrical disc - Ø 24 mm ± 0.05 mm - minimum height 10 mm - flat surface - stainless steel to DIN 17440, material no. 316S12

Reaction times

Power-on delay time [s]	2
-------------------------	---

Software / programming

Programming options	3 switchpoints to be freely defined within the measuring range
---------------------	--

Environment

Ambient temperature [°C]	-25...85, firmly laid cable
Protection	IP 65 / IP 67; only in conjunction with an installation in the valve head that provides sufficient protection against mechanical damage of the sensor

Tests / approvals

EMC	EN 61000-4-2 ESD:	4 kV CD / 8 kV CD
	EN 61000-4-3 HF radiated:	10 V/m
	EN 61000-4-4 Burst:	2 kV coupling clamp
	EN 61000-4-6 HF conducted:	3 V
MTTF [Years]		298

Mechanical data

Housing materials	PA; TPE; PP (polypropylene); LCP
Weight [kg]	0.216

Displays / operating elements

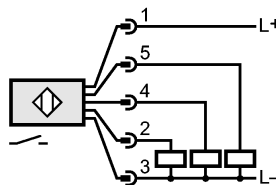
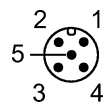
Output status indication LED	green (open), yellow (seat), red (close)
------------------------------	--

Electrical connection

Connection	PVC cable / 0.3 m; 5 x 0.14 mm ² ; with M12 connector
------------	--

Wiring

- 2: OUT 2 close
- 4: OUT 3 open
- 5: OUT 1 seat



Accessories

Accessories (included)	3 mounting screws
------------------------	-------------------

Remarks

Pack quantity [piece]	1
-----------------------	---