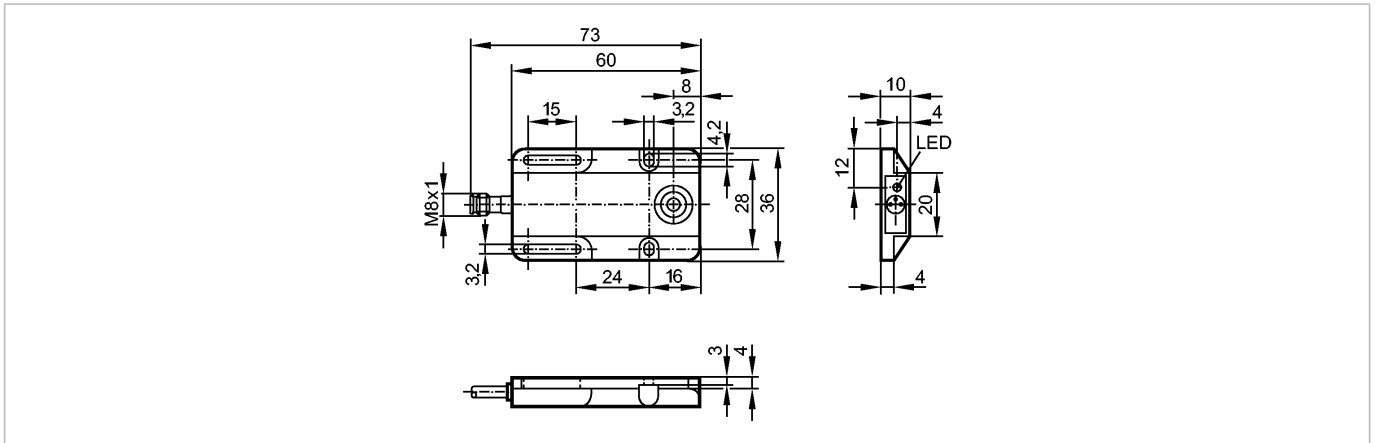


IW5064

IW-3008-BPKG/AS-610-TPS

Inductive sensors



Product characteristics

Inductive sensor
Rectangular, plastics
Quick disconnect
Sensing range 8 mm; [nf] non-flush mountable

Electrical data

Electrical design	DC PNP
Operating voltage [V]	10...36 DC
Current consumption [mA]	15 (24 V)
Protection class	III
Reverse polarity protection	yes

Outputs

Output function	normally open
Voltage drop [V]	< 2.5
Current rating [mA]	250
Short-circuit protection	yes (non-latching)
Overload protection	yes
Switching frequency [Hz]	300

Monitoring range

Sensing range [mm]	8
Real sensing range (Sr) [mm]	8 ± 10 %
Operating distance [mm]	0...6.5

Accuracy / deviations

Correction factors	mild steel = 1 / stainless steel approx. 0.7 / brass approx. 0.4 / aluminium approx. 0.3 / copper approx. 0.2
Hysteresis [% of Sr]	1...15
Switch-point drift [% of Sr]	-10...10

Environment

Ambient temperature [°C]	-20...80
Protection	IP 65

Tests / approvals

EMC	EN 60947-5-2 EN 55011: class B
-----	-----------------------------------

IW5064

IW-3008-BPKG/AS-610-TPS

Inductive sensors

MTTF	[Years]	2526
------	---------	------

Mechanical data

Mounting	non-flush mountable	
Housing materials	PBT	
Weight	[kg]	0.026

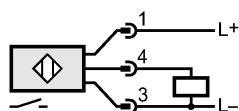
Displays / operating elements

Output status indication	LED	yellow
--------------------------	-----	--------

Electrical connection

Connection	M8 connector	
------------	--------------	--

Wiring



Remarks

Pack quantity	[piece]	1
---------------	---------	---