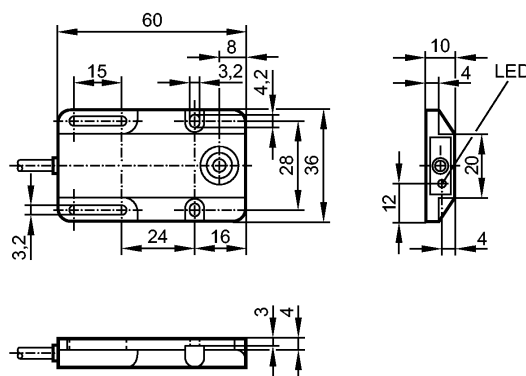


IW5053

IW-3008-APKG

Inductive sensors



Product characteristics

Inductive sensor

Rectangular, plastics

Cable

Sensing range 8 mm; [nf] non-flush mountable

Electrical data

Electrical design	DC PNP
Operating voltage [V]	10...36 DC
Current consumption [mA]	15 (24 V)
Protection class	II
Reverse polarity protection	yes

Outputs

Output function	normally closed
Voltage drop [V]	< 2.5
Current rating [mA]	250
Short-circuit protection	yes (non-latching)
Overload protection	yes
Switching frequency [Hz]	300

Monitoring range

Sensing range [mm]	8
Real sensing range (Sr) [mm]	8 ± 10 %
Operating distance [mm]	0...6.5

Accuracy / deviations

Correction factors	mild steel = 1 / stainless steel approx. 0.7 / brass approx. 0.4 / aluminium approx. 0.3 / copper approx. 0.2
Hysteresis [% of Sr]	1...15
Switch-point drift [% of Sr]	-10...10

Environment

Ambient temperature [°C]	-25...80
Protection	IP 67

Tests / approvals

EMC	EN 60947-5-2
MTTF [Years]	1893

IW5053

IW-3008-APKG

Inductive sensors

Mechanical data

Mounting	non-flush mountable
Housing materials	PBT
Weight [kg]	0.06

Displays / operating elements

Output status indication	LED	yellow
--------------------------	-----	--------

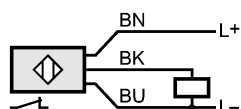
Electrical connection

Connection	PVC cable / 2 m; 3 x 0.14 mm ²
------------	---

Wiring

Core colors

- BN brown
- BU blue
- BK black



Remarks

Pack quantity	[piece]	1
---------------	---------	---