



### Model Number

IVZ-30G-EW

### Features

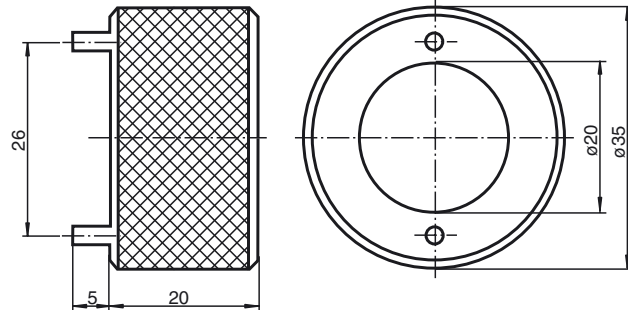
- Threading tool for code and data carriers with threadings M30 x 1.5

### Function

The threading tool is made for screwing or releasing of a code or data carrier with threading M30 x 1.5.

For this purpose, the pin of the tool is set in the cavities of the code or data carrier.

### Dimensions



### Technical data

#### Mechanical specifications

Material	metal
----------	-------