

Alternative article: IV5060

Article discontinued as of 31.March 2017

When selecting an alternative article and accessories please note that technical data may differ!

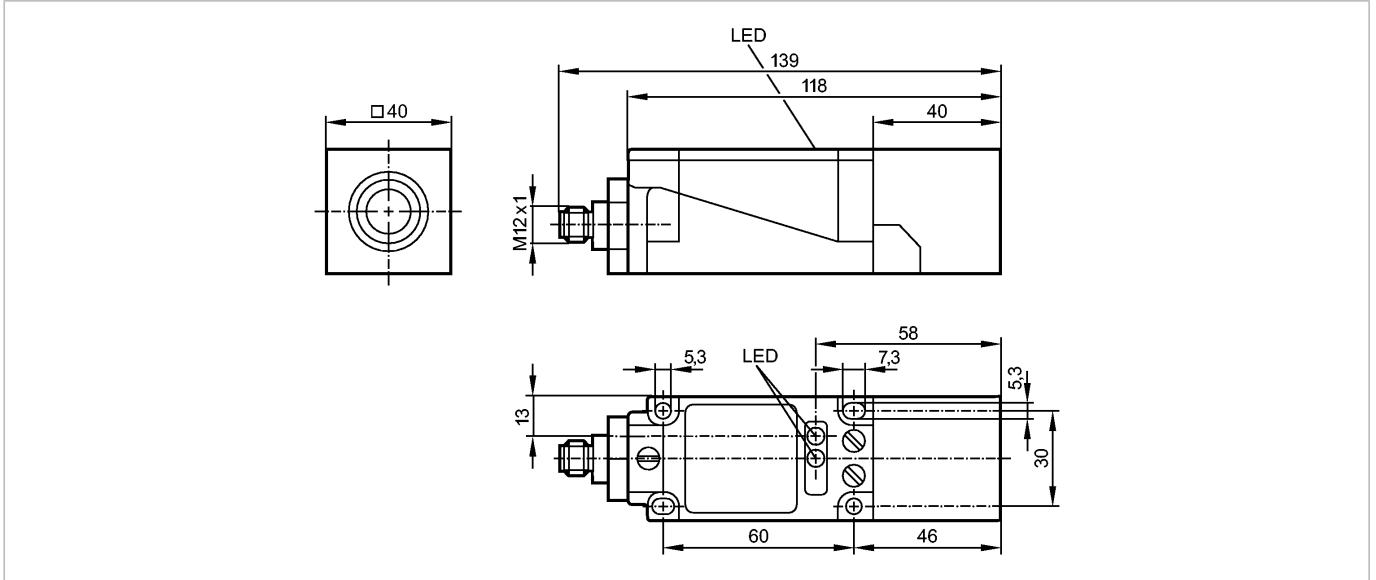
**efector100**

IV5025



IVE3015UBPKG/US-100-DPS

Inductive sensors



Product characteristics

Inductive sensor

Rectangular, plastics

Quick disconnect

Weld field immune

Sensing range 15 mm; [f] flush mountable

Electrical data

Electrical design

DC PNP

Operating voltage [V]

10...60 DC

Current consumption [mA]

20 (24 V)

Protection class

II

Reverse polarity protection

yes

Outputs

Output function

normally open

Voltage drop [V]

< 3

Current rating [mA]

200

Short-circuit protection

yes (non-latching)

Overload protection

yes

Switching frequency [Hz]

50

Monitoring range

Sensing range [mm]

15

Real sensing range (Sr) [mm]

15 ± 10 %

Operating distance [mm]

0...12.1

Accuracy / deviations

Correction factors

mild steel = 1 / stainless steel approx. 0.85 / brass approx. 0.4 / aluminium approx. 0.4 / copper approx. 0.3

Hysteresis [% of Sr]

3...15

Switch-point drift [% of Sr]

-10...10

Environment

Ambient temperature [°C]

-25...70

Protection

IP 67

# IV5025 - Inductive sensor - eclass: 27270101 / 27-27-01-01

## Tests / approvals

EMC	EN 60947-5-2 EN 55011: class B
-----	-----------------------------------

## Mechanical data

Mounting	flush mountable
----------	-----------------

Housing materials	modified PPE
-------------------	--------------

Weight [kg]	0.26
-------------	------

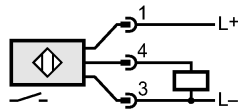
## Displays / operating elements

Output status indication LED	yellow
------------------------------	--------

## Electrical connection

Connection	M12 connector
------------	---------------

## Wiring



## Remarks

Remarks	5 positions of the active zone possible
---------	---

Pack quantity [piece]	1
-----------------------	---

ifm efector, inc. • 1100 Atwater Drive • Malvern • PA 19355 — We reserve the right to make technical alterations without prior notice. — US — IV5025 — 06.03.2003

Alternative article: IV5060

Article discontinued as of 31.March 2017

When selecting an alternative article and accessories please note that technical data may differ!