

Alternative article: IV5004

Article discontinued as of 31.March 2017

When selecting an alternative article and accessories please note that technical data may differ!

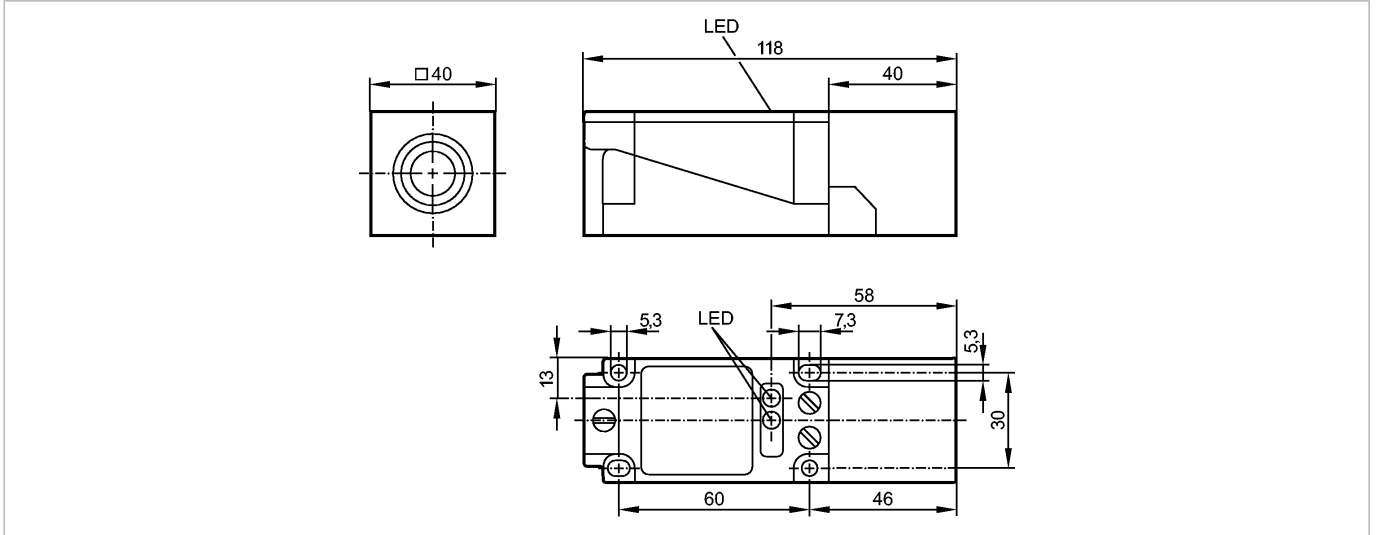
**efector100**

IV5003



E2E4015-CPKG

Inductive sensors



Product characteristics

Inductive sensor

Rectangular, plastics

Terminals

Sensing range 15 mm; [f] flush mountable

Electrical data

Electrical design

DC PNP

Operating voltage [V]

10...60 DC

Current consumption [mA]

20 (24 V)

Protection class

II

Reverse polarity protection

yes

Outputs

Output function

complementary

Voltage drop [V]

< 3

Current rating [mA]

200

Short-circuit protection

yes (non-latching)

Overload protection

yes

Switching frequency [Hz]

150

Monitoring range

Sensing range [mm]

15

Real sensing range (Sr) [mm]

15 ± 10 %

Operating distance [mm]

0...12.1

Accuracy / deviations

Correction factors

mild steel = 1 / stainless steel approx. 0.7 / brass approx. 0.4 / aluminium approx. 0.3 / copper approx. 0.2

Hysteresis [% of Sr]

1...15

Switch-point drift [% of Sr]

-10...10

Environment

Ambient temperature [°C]

-25...70

Protection

IP 67

Tests / approvals

EMC

EN 60947-5-2

EN 55011:

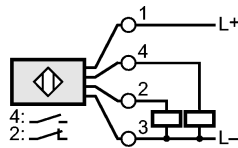
class B

# IV5003 - Inductive sensor - eclass: 27270101 / 27-27-01-01

## Mechanical data

Mounting		flush mountable
Housing materials		PBT
Weight	[kg]	0.265
Displays / operating elements		
Output status indication	LED	yellow
Power	LED	green
Electrical connection		
Connection		terminals up to 2.5 mm <sup>2</sup> ; cable diameter 7...13 mm, cable gland M20 x 1.5

## Wiring



## Remarks

Remarks		5 positions of the active zone possible cable gland (E11270) to be ordered separately
Pack quantity	[piece]	1

ifm efector, inc. • 1100 Atwater Drive • Malvern • PA 19355 — We reserve the right to make technical alterations without prior notice. — US — IV5003 — 27.06.2011

Alternative article: IV5004

Article discontinued as of 31.March 2017

When selecting an alternative article and accessories please note that technical data may differ!