

Alternative article: IV5004

Article discontinued as of 31.March 2017

When selecting an alternative article and accessories please note that technical data may differ!

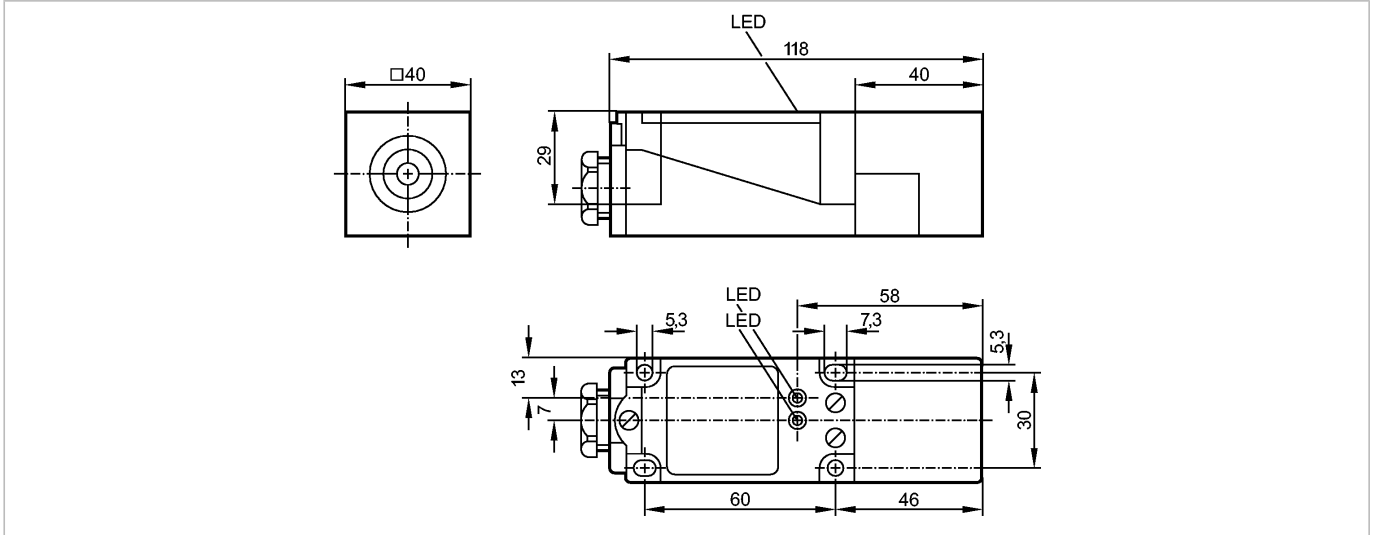
efector100

IV5002



IVE3020BBPKG

Inductive sensors



Product characteristics

Inductive sensor

Rectangular, plastics

Terminals

Sensing range 20 mm; [f] flush mountable

Electrical data

Electrical design

DC PNP

Operating voltage [V]

10...60 DC

Current consumption [mA]

20 (24 V)

Protection class

II

Reverse polarity protection

yes

Outputs

Output function

normally open

Voltage drop [V]

< 3

Current rating [mA]

200

Short-circuit protection

yes (non-latching)

Overload protection

yes

Switching frequency [Hz]

150

Monitoring range

Sensing range [mm]

20

Real sensing range (Sr) [mm]

20 ± 10 %

Operating distance [mm]

0...16.2

Accuracy / deviations

Correction factors

mild steel = 1 / stainless steel approx. 0.7 / brass approx. 0.4 / aluminium approx. 0.3 / copper approx. 0.2

Hysteresis [% of Sr]

1...15

Switch-point drift [% of Sr]

-10...10

Environment

Ambient temperature [°C]

-25...70

Protection

IP 67

Tests / approvals

EMC

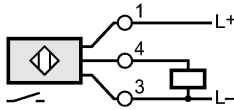
EN 60947-5-2

Mechanical data

IV5002 - Inductive sensor - eclass: 27270101 / 27-27-01-01

Mounting		flush mountable
Housing materials		PBT
Weight	[kg]	0.256
Displays / operating elements		
Output status indication	LED	yellow
Power	LED	green
Electrical connection		
Connection		terminals up to 2.5 mm ² ; cable diameter 7...13 mm, cable gland M20 x 1.5

Wiring



Remarks		
Remarks		5 positions of the active zone possible cable gland (E11270) to be ordered separately
Pack quantity	[piece]	1

ifm efector, inc. • 1100 Atwater Drive • Malvern • PA 19355 — We reserve the right to make technical alterations without prior notice. — US — IV5002 — 06.03.2003

Alternative article: IV5004

Article discontinued as of 31.March 2017

When selecting an alternative article and accessories please note that technical data may differ!