

no longer available - archive entry Alternative article: IT5036

When selecting an alternative article and accessories please note that technical data may differ!

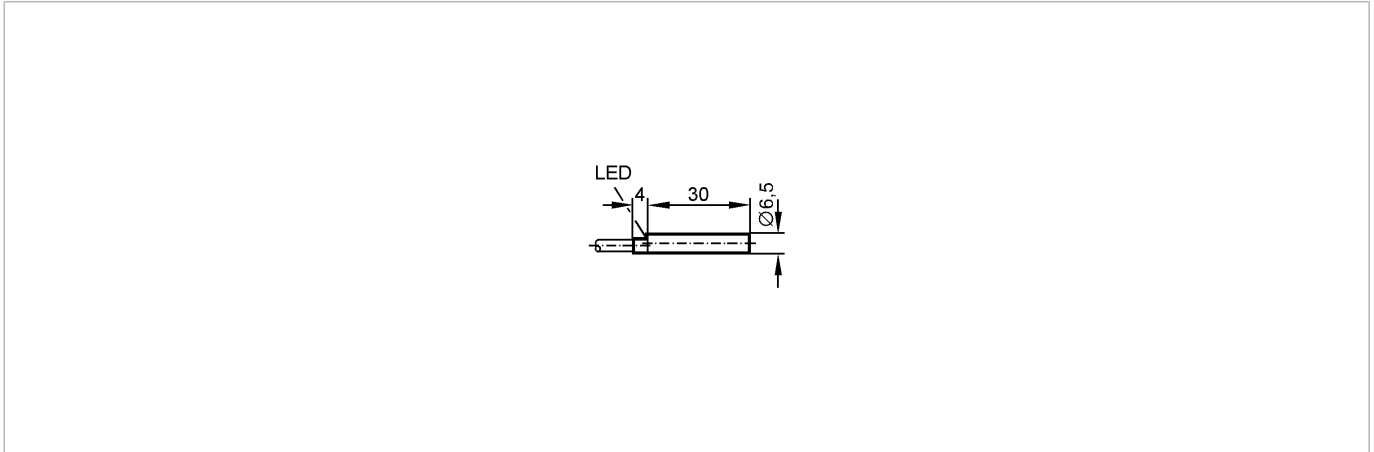
**efectorio**

IT5028



ITB31.5-BPKG/V2A

Inductive sensors



Product characteristics

Inductive sensor

Metal housing Ø 6.5 mm

Cable

Sensing range 1.5 mm; [f] flush mountable

Electrical data

Electrical design

DC PNP

Operating voltage [V]

10...30 DC

Current consumption [mA]

< 9.5

Reverse polarity protection

yes

Outputs

Output function

normally open

Voltage drop [V]

< 1.8

Current rating [mA]

100

Short-circuit protection

yes (non-latching)

Overload protection

yes

Switching frequency [Hz]

5000

Monitoring range

Sensing range [mm]

1.5

Real sensing range (Sr) [mm]

1.5 ± 10 %

Operating distance [mm]

0...1.2

Accuracy / deviations

Correction factors

mild steel = 1 / stainless steel approx. 0.7 / brass approx. 0.4 / aluminium approx. 0.4 / copper approx. 0.25

Hysteresis [% of Sr]

1...10

Switch-point drift [% of Sr]

-10...10

Environment

Ambient temperature [°C]

-25...70

Protection

IP 67

Tests / approvals

EMC

EN 60947-5-2

EN 55011:

class B

Mechanical data

Mounting

flush mountable

Housing materials

stainless steel (303S22); PA12-GF30

Weight [kg]

0.057

Displays / operating elements

# IT5028 - Inductive sensor - eclass: 27270101 / 27-27-01-01

|                          |     |        |
|--------------------------|-----|--------|
| Output status indication | LED | yellow |
|--------------------------|-----|--------|

|                       |  |  |
|-----------------------|--|--|
| Electrical connection |  |  |
|-----------------------|--|--|

|            |  |   |
|------------|--|---|
| Connection |  | PVC cable / 2 m; 3 x 0.25 mm <sup>2</sup> ; highly flexible |
|------------|--|---|

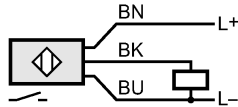
## Wiring

Core colors

BN brown

BU blue

BK black



Accessories

|                        |  |                |
|------------------------|--|----------------|
| Accessories (included) |  | Mounting clamp |
|------------------------|--|----------------|

|         |  |  |
|---------|--|--|
| Remarks |  |  |
|---------|--|--|

|               |         |   |
|---------------|---------|---|
| Pack quantity | [piece] | 1 |
|---------------|---------|---|

ifm efector, inc. • 1100 Atwater Drive • Malvern • PA 19355 — We reserve the right to make technical alterations without prior notice. — US — IT5028 — 06.03.2003

no longer available - archive entryAlternative article: IT5036

When selecting an alternative article and accessories please note that technical data may differ!