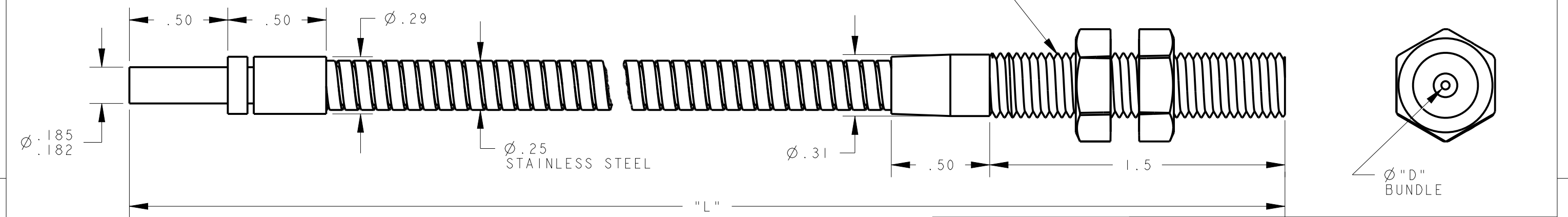


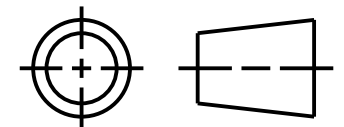
MODEL NO.	"L"	"D"	P/N
IT.752S	24	.046	20179
IT.755S	60	.046	20958
IT11.3S	15	.062	17338
IT11.5S	18	.062	17339
IT12S	24	.062	17340
IT13S	36	.062	17342
IT14S	48	.062	20537
IT15S	60	.062	17343
IT16S	72	.062	17894
IT18S	96	.062	17372
IT2.5S	6	.125	20427
IT21.2S	14	.125	20796
IT21.3S	15	.125	20549
IT21.5S	18	.125	17395
IT210S	120	.125	17345
IT211S	132	.125	20467
IT212S	144	.125	17347
IT23S	36	.125	17355



NOTES:  
 1. ALL DIMENSIONS ARE [REDACTED] [INCHES] UNLESS OTHERWISE NOTED.  
 2. REFER TO "www.bannerengineering.com" FOR ADDITIONAL DATA AND SPECIFICATIONS.

This drawing is the property of BANNER ENGINEERING CORP. Any use or reproduction, in any form, without prior written permission of Banner is prohibited. © 2015 Banner Engineering Corp.

THIRD ANGLE PROJECTION



		BANNER ENGINEERING CORP.	
		www.bannerengineering.com	
TITLE			
<b>IT2 SERIES SS TERMINATED</b>			
SIZE	DRAWING NO.	REV.	
B	<b>161911</b>		
SCALE	SHEET		
2:1	1 OF 2		

8	7	6	5
MODEL NO.	"L"	"D"	P/N
IT110S	120	.062	22864
IT22.7S	32	.125	22882
IT24.6S	55	.125	22883
IT25.4S	65	.125	22884
IT221S	252	.125	00000
IT.754.5S	54	.046	23452
IT.754S	48	.046	23591
IT114S	168	.062	00000
IT116S	192	.062	00000
IT.756.7S	80	.046	00000
IT.442S	24	.027	23729
IT260S	720	.125	00000
IT.756S	72	.046	23837
IT21.33S	16	.125	24052
IT1.55S	60	.090	24122
IT240S	480	.125	24280
IT236S	432	.125	24336
IT116.5S	198	.062	00000
IT216.5S	198	.125	24599
IT224S	288	.125	24703
IT223S	276	.125	24854
IT.7510S	120	.046	00000
IT.7520S	204	.046	00000
IT19S	108	.062	76143
IT213S	156	.125	17348
IT214S	168	.125	17826
IT215S	180	.125	20124
IT216S	192	.125	17349
IT217S	204	.125	17962
IT21S	12	.125	17851

4	3	2	1
MODEL NO.	"L"	"D"	P/N
IT22.29S	27.5	.125	17920
IT1.5S	6	.062	00000
IT11S	12	.062	22321
IT228S	336	.125	22465
IT120S	240	.062	22539
IT2.9S	11	.125	22839
IT1.53S	36	.090	23214

NOTES:  
1. ALL DIMENSIONS ARE MILLIMETERS [INCHES] UNLESS OTHERWISE NOTED.  
2. REFER TO "www.bannerengineering.com" FOR ADDITIONAL DATA AND SPECIFICATIONS.

This drawing is the property of BANNER ENGINEERING CORP. Any use or reproduction, in any form, without prior written permission of Banner is prohibited.  
© 2015 Banner Engineering Corp.



BANNER ENGINEERING CORP.  
www.bannerengineering.com

TITLE  
**IT2 SERIES SS TERMINATED**

SIZE B DRAWING NO. **161911** REV.

SCALE 2:1 SHEET 2 OF 2

THIRD ANGLE PROJECTION

