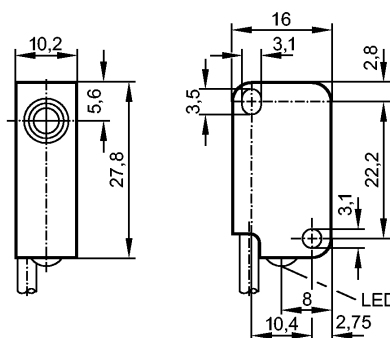


IS0008

IS-2002-BROA/12"K

Inductive sensors



Product characteristics

Inductive sensor

Rectangular, plastics

Cable

Sensing range 2 mm; [f] flush mountable

Electrical data

Electrical design		AC/DC
Operating voltage [V]		20...140 AC / 10...140 DC (45...65 Hz AC)
Protection class		II
Reverse polarity protection		no

Outputs

Output function		normally closed
Voltage drop [V]		< 5
Minimum load current [mA]		5
Leakage current [mA]		< 0.8
Current rating		
- Current rating (continuous) [mA]		200
- Current rating (peak) [mA]		î: 0.9 A (20 ms / 0.5 Hz)
Short-circuit protection		no
Overload protection		no
Switching frequency [Hz]		25

Monitoring range

Sensing range [mm]		2
Real sensing range (Sr) [mm]		2 ± 10 %
Operating distance [mm]		0...1.6

Accuracy / deviations

Correction factors		mild steel = 1 / stainless steel approx. 0.9 / brass approx. 0.8 / aluminium approx. 0.5 / copper approx. 0.46
Hysteresis [% of Sr]		1...15
Switch-point drift [% of Sr]		-10...10

Environment

Ambient temperature [°C]		-20...80
Protection		IP 67

Tests / approvals

IS0008

IS-2002-BROA/12"K

Inductive sensors

EMC	EN 60947-5-2 EN 55011:	class B
MTTF	[Years]	2006

Mechanical data

Mounting	flush mountable
Housing materials	PBT
Tightening torque	[Nm] ≤ 0.5 (with washer)
Weight	[kg] 0.021

Displays / operating elements

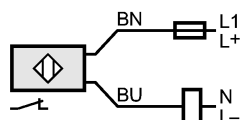
Output status indication	LED	red
--------------------------	-----	-----

Electrical connection

Connection	PVC cable / 0.3 m; 2 x 0.25 mm ²
------------	---

Wiring

Core colors
 BN brown
 BU blue



Note: miniature fuse to IEC60127-2 sheet 1,
 ≤ 2 A (fast acting)

Remarks

Remarks	Recommendation: check the unit for reliable function after a short circuit.
---------	---

Pack quantity	[piece]	1
---------------	---------	---