

**Model Number****IRH-12GM-V1**

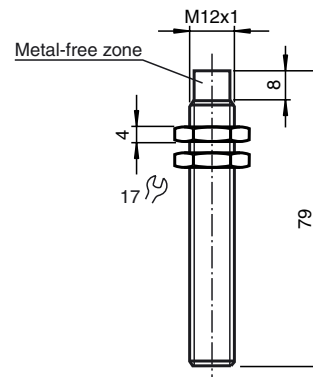
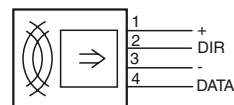
Reading head

**Accessories****V1-G-IVH-5M-PUR-ABG**

Cable connector, screened

**V1-G-IVH-15M-PUR-ABG**

Cable connector, screened

**Dimensions****Electrical connection****Technical data****General specifications**

Distance distance tables, see introduction

**Electrical specifications**Power consumption  $P_0$  600 mW**Ambient conditions**

Ambient temperature -25 ... 70 °C (248 ... 343 K)

Storage temperature -40 ... 85 °C (233 ... 358 K)

**Mechanical specifications**

Protection degree IP67 according to EN 60529

Connection plug connection V1

Material

Housing high grade steel (stainless)

Installation

In metal not embeddable, overshoot at least 10 mm

Distance between two heads 300 mm

**Notes**

The read heads cannot be embedded in a metal surface, as the read distance would be reduced thereby. In order to avoid mutual interference, the distance between the two read heads should be at least 300 mm.