

Alternative article: M9H200

Article discontinued as of 31.December 2016

When selecting an alternative article and accessories please note that technical data may differ!

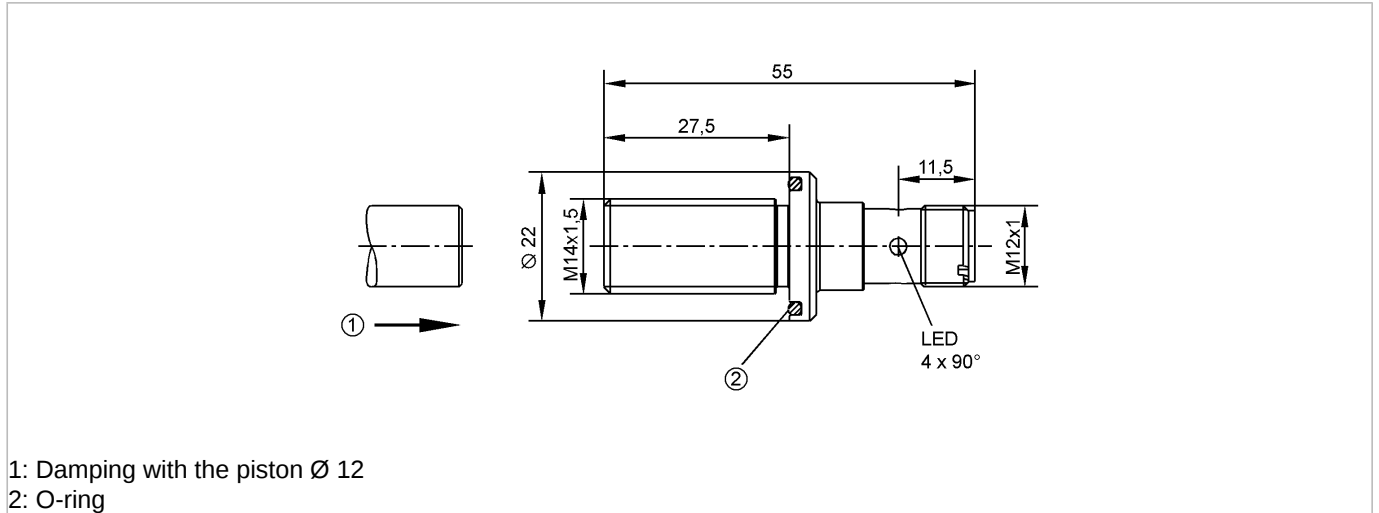
**efector100**

IR5014



IR-3002-BPKG/M14X1.5/US-104DPS

Inductive sensors



1: Damping with the piston  $\varnothing$  12

2: O-ring



Product characteristics

Inductive sensor

Metal thread M14 x 1.5

Quick disconnect

e1 type approval

Sensing range 2 mm; [f] flush mountable

Electrical data

Electrical design

DC PNP

Operating voltage [V]

10...36 DC; to PELV

Current consumption [mA]

< 15

Protection class

III

Reverse polarity protection

yes

Outputs

Output function

normally open

Voltage drop [V]

< 2.5

Current rating [mA]

100

Short-circuit protection

yes (non-latching)

Overload protection

yes

Switching frequency [Hz]

100

Monitoring range

Sensing range [mm]

2

Real sensing range (Sr) [mm]

$2 \pm 10\%$

Operating distance [mm]

0...1.71

Accuracy / deviations

Correction factors

mild steel = 1 / stainless steel approx. 0.7 / brass approx. 0.5 / aluminium approx. 0.4 / copper approx. 0.3

Hysteresis [% of Sr]

1...15

Switch-point drift [% of Sr]

-5...20

Environment

Operating pressure [MPa]

max. 35 (grease)

Ambient temperature [°C]

-25...80

Protection

IP 67

Tests / approvals

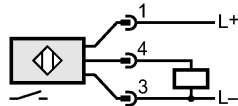
EMC

EN 60947-5-2

**IR5014 - Inductive sensor - eclass: 27270101 / 27-27-01-01**

		EN 55011:	class B
MTTF	[Years]	2503	
e1 type approval		directive 2006/28/EG	
Mechanical data			
Mounting		flush mountable	
Max. penetration depth of the piston	[mm]	6.8	
Housing materials		PBT; steel (9S20K) galvanised, chromium-plated (yellow)	
Tightening torque	[Nm]	43	
Weight	[kg]	0.043	
Displays / operating elements			
Output status indication	LED	yellow (4 x 90°)	
Electrical connection			
Connection		M12 connector	

**Wiring**



**Remarks**

Remarks	Do not use the sensing face as a limit stop!
Pack quantity	[piece] 1

ifm efector, inc. • 1100 Atwater Drive • Malvern • PA 19355 — We reserve the right to make technical alterations without prior notice. — US — IR5014 — 15.07.2013

Alternative article: M9H200

Article discontinued as of 31.December 2016

When selecting an alternative article and accessories please note that technical data may differ!