



Model Number

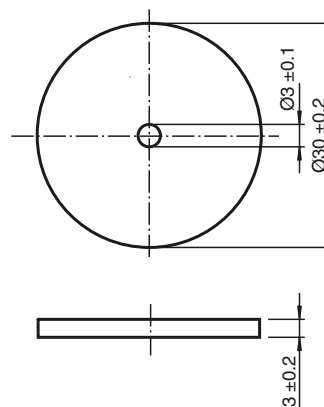
IQC21-30P

Data carrier

Features

- Operating frequency 13.56 MHz
- 64 bit Fixcode
- 896 bits memory available
- Readable and writable from both sides
- Degree of protection IP68
- Mounting holes for simple installation

Dimensions



Technical data

General specifications

Operating frequency	13.56 MHz
Transfer rate	26 kBit/s

Memory

Chip Type	I-CODE SLI (NXP)
Type/Size	EEPROM 896 Bit ROM 64 Bit

Read cycles	unlimited
Write cycles	> 100000
Data retention period	10 years at 55 °C (131 °F)

Ambient conditions

Ambient temperature	-20 ... 100 °C (-4 ... 212 °F)
Storage temperature	-30 ... 100 °C (-22 ... 212 °F)

Mechanical specifications

Degree of protection	IP68
Material	
Housing	PC (Polycarbonate)

Compliance with standards and directives

Standard conformity	
Degree of protection	EN 60529:2000

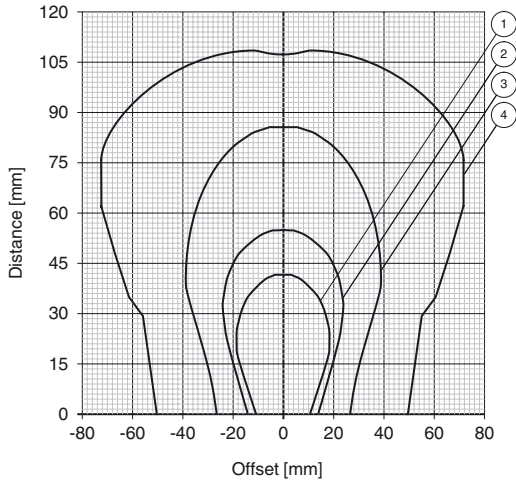
Notes

The transponder can be read and written from either side.

Read/write distances

- ① IQH1-18GM-V1 ② IQH1-F61-V1 ③ IQH1-FP-V1
- ④ IQH1-F15-V1

Reading range in air IQC21-30P



Release date: 2016-06-15 11:42 Date of issue: 2016-06-15 192204_eng.xml