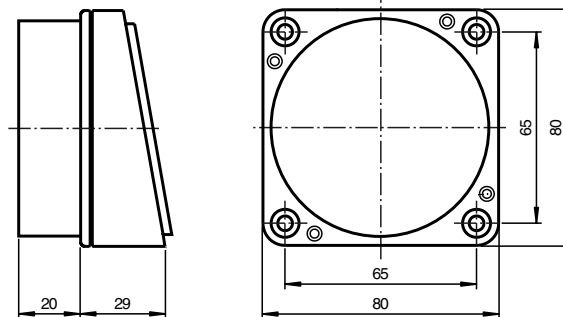


Dimensions



Model Number

IPT-FP

Read/write station

Features

- With integrated control interface unit
- Serial interfaces and field-bus interfaces selectable through lower part
- Read distance of up to 100 mm
- Write distance of up to 50 mm
- 3 LEDs for function indication
- Protection degree IP67
- Suitable for applications together with inductive energy transfer

Function

The IPT-FP read/write station is used in combination with a base which contains the interface for connecting to a computer. Through the choice of base, either serial interfaces or field-bus interfaces may be selected.

The analysis system is integrated in the device and simplifies the system construction. Protection class IP67 allows the device to be installed directly in the field.

Technical data

General specifications

Operating frequency	125 kHz
Transfer rate	2 kBit/s
Operating distance	maximum: 100 mm
UL File Number	E87056

Indicators/operating means

LED green	Power on
LED yellow	IPC detected
LED red	bus fault (when using fieldbus interfaces)

Electrical specifications

Rated operational voltage	U_e	20 ... 30 V DC , ripple 10 % _{SS} , PELV
Power consumption	P_0	max. 5 W , in connection with the base
Electrical isolation		
Operating voltage/interface		functional insulation acc. to DIN EN 50178, rated insulation voltage 50 V _{eff}

Interface

Physical	Interface type depends on used base
----------	-------------------------------------

Ambient conditions

Ambient temperature	-25 ... 70 °C (248 ... 343 K)
Storage temperature	-40 ... 85 °C (233 ... 358 K)

Mechanical specifications

Protection degree	IP67 according to EN 60529, with base
Material	
Housing	PBT

Matching system components**U-P3-RX**

Base for read/write station

U-P3V4A-RX

Base for read/write station, stainless steel version

U-P3-R4

Base for read/write station

U-P3-R4-V15

Base for read/write station, plug-in connection

U-P3V4A-R4

Base for read/write station, stainless steel version

U-P6-R4

Base for read/write station

U-P6-B5

Base for read/write station

U-P6-B5-V

Base for read/write station

U-P6-B6

Base for read/write station

U-P6-B6-V15B

Base for read/write station

U-P6V4A-B6

read/write head UT

U-P4-R4

Base for read/write station

U-P4-R4-V15

Base for read/write station, plug-in connection

U-P4-RX

Base for read/write station

IPG-G4-B7-V15

DeviceNet bus coupler