

no longer available - archive entry

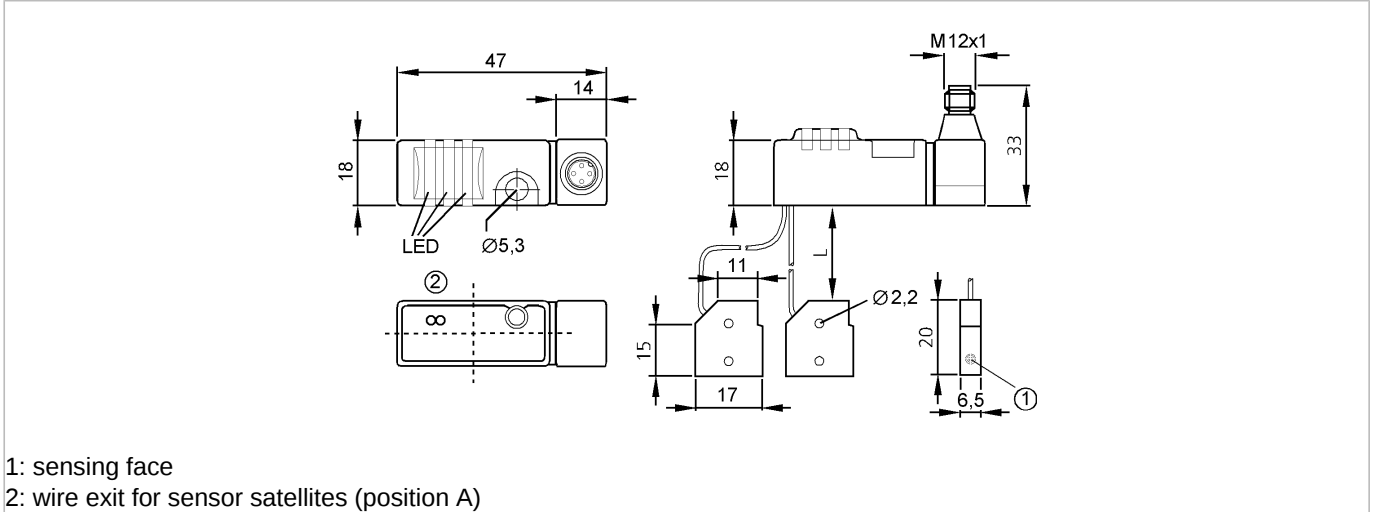
efector100

IN5356



INS3002DBPKG/US-100-YPS/S6A/20

Inductive sensors



Product characteristics

Inductive sensor

Rectangular, plastics

Quick disconnect

Weld field immune

Sensing range 2 mm; [nf] non-flush mountable

Electrical data

Electrical design

DC PNP

Operating voltage [V]

10...30 DC

Current consumption [mA]

15 (24 V)

Protection class

II

Reverse polarity protection

yes

Outputs

Output function

2 x normally open

Voltage drop [V]

< 2

Current rating [mA]

200

Short-circuit protection

yes (non-latching)

Overload protection

yes

Switching frequency [Hz]

25

Monitoring range

Sensing range [mm]

2

Real sensing range (Sr) [mm]

$2 \pm 10 \%$

Operating distance [mm]

0...1.62

Accuracy / deviations

Correction factors

mild steel = 1 / stainless steel approx. 0.85 / aluminium approx. 0.4 / copper approx. 0.3

Switch-point drift [% of Sr]

-10...10

Environment

Ambient temperature [°C]

-25...70

Protection

IP 67

Tests / approvals

EMC

IEC 1000-4-2/3/4/5/6

Mechanical data

Mounting

non-flush mountable

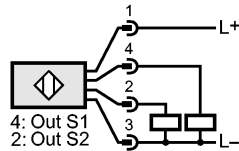
Housing materials

ABS

IN5356 - Inductive sensor - eclass: 27270101 / 27-27-01-01

Length (L) [mm]		200 (Ø 1.5)
Displays / operating elements		
Output status indication	LED	1 x yellow; 1 x red
Power	LED	green
Electrical connection		
Connection		M12 connector

Wiring



Remarks

Pack quantity	[piece]	1
---------------	---------	---

ifm efector, inc. • 1100 Atwater Drive • Malvern • PA 19355 — We reserve the right to make technical alterations without prior notice. — US — IN5356 — 06.03.2003
no longer available - archive entry