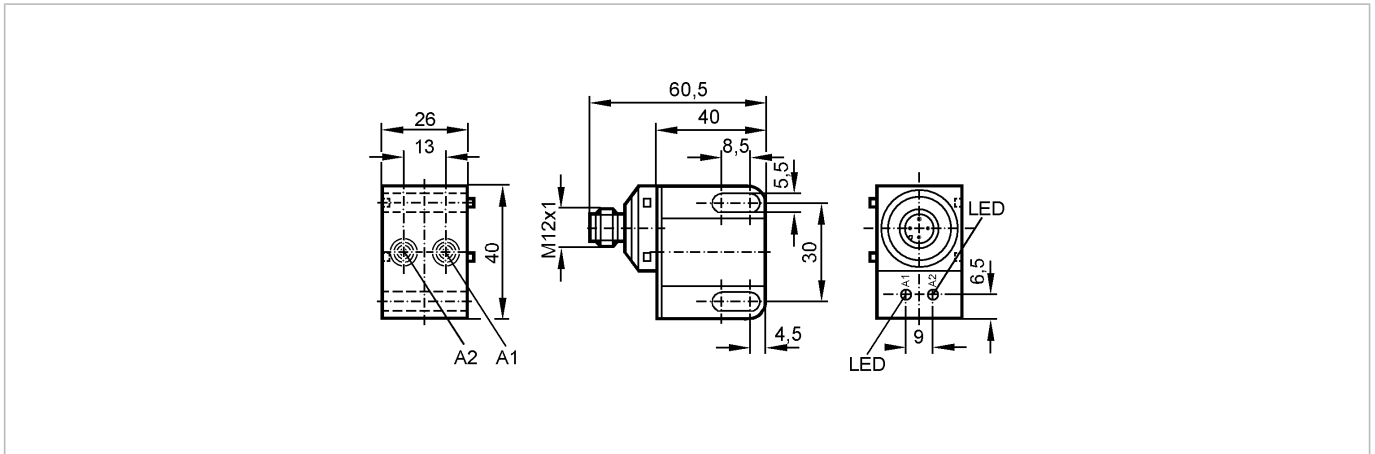


IN5337

IND3004DBPKG/US-100-DPV/10-55V

Valve sensors



Product characteristics

Inductive sensor	
Rectangular, plastics	
Quick disconnect	
Sensing range 4 mm; [nf] non-flush mountable	

Electrical data

Electrical design		DC PNP
Operating voltage [V]		10...55 DC
Current consumption [mA]		< 30
Protection class		III
Reverse polarity protection		yes

Outputs

Output function		2 x normally open
Voltage drop [V]		< 2.5
Current rating [mA]		250
Short-circuit protection		yes (non-latching)
Overload protection		yes
Switching frequency [Hz]		50

Monitoring range

Sensing range [mm]		4
Real sensing range (Sr) [mm]		4 ± 10 %
Operating distance [mm]		0...3.25

Accuracy / deviations

Correction factors		mild steel = 1 / stainless steel approx. 0.7 / brass approx. 0.5 / aluminium approx. 0.4 / copper approx. 0.3
Hysteresis [% of Sr]		3...15
Switch-point drift [% of Sr]		-10...10

Environment

Ambient temperature [°C]		-25...80
Protection		IP 67; if screwed on

Tests / approvals

EMC	EN 60947-5-2 EN 55011:	class B
-----	---------------------------	---------

IN5337

IND3004DBPKG/US-100-DPV/10-55V

Valve sensors

MTTF	[Years]	833
------	---------	-----

Mechanical data

Mounting		non-flush mountable
Housing materials		PC (polycarbonate)
Weight	[kg]	0.069

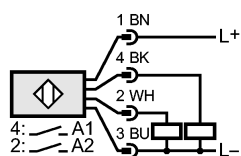
Displays / operating elements

Output status indication	LED	2 x yellow
--------------------------	-----	------------

Electrical connection

Connection		M12 connector
------------	--	---------------

Wiring



Remarks

Pack quantity	[piece]	1
---------------	---------	---