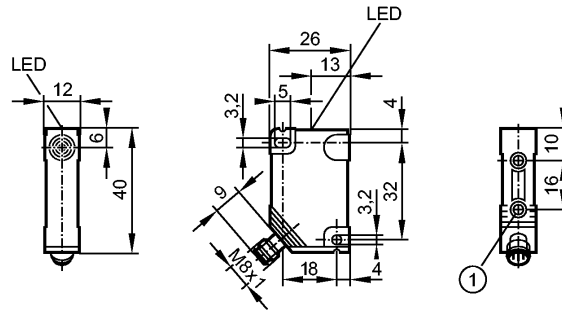


**IN5212**

IN-3004-BPKG/AS-610-TPS

Inductive sensors



1: threaded insert M3, depth 5.8 mm, max. tightening torque 1.2 Nm (screw fixing class 8.8) when brass insert in contact with counterpart.



**Product characteristics**

Inductive sensor	
Rectangular, plastics	
Quick disconnect	
Sensing range 4 mm; [nf] non-flush mountable	

**Electrical data**

Electrical design		DC PNP
Operating voltage [V]		10...36 DC
Current consumption [mA]		15 (24 V)
Protection class		III
Reverse polarity protection		yes

**Outputs**

Output function		normally open
Voltage drop [V]		< 2.5
Current rating [mA]		250
Short-circuit protection		yes (non-latching)
Overload protection		yes
Switching frequency [Hz]		1300

**Monitoring range**

Sensing range [mm]		4
Real sensing range (Sr) [mm]		4 ± 10 %
Operating distance [mm]		0...3.25

**Accuracy / deviations**

Correction factors		mild steel = 1 / stainless steel approx. 0.7 / brass approx. 0.4 / aluminium approx. 0.3 / copper approx. 0.2
Hysteresis [% of Sr]		1...15
Switch-point drift [% of Sr]		-10...10

**Environment**

Ambient temperature [°C]		-25...80
Protection		IP 65

**Tests / approvals**

EMC		EN 60947-5-2 EN 55011: class B
MTTF [Years]		1925

**IN5212**

IN-3004-BPKG/AS-610-TPS

**Inductive sensors**

**Mechanical data**

Mounting	non-flush mountable
Housing materials	PBT
Weight [kg]	0.021

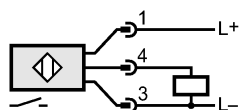
**Displays / operating elements**

Output status indication	LED	yellow
--------------------------	-----	--------

**Electrical connection**

Connection	M8 connector
------------	--------------

**Wiring**



**Remarks**

Pack quantity	[piece]	1
---------------	---------	---