

no longer available - archive entry Alternative article: IN5230

When selecting an alternative article and accessories please note that technical data may differ!

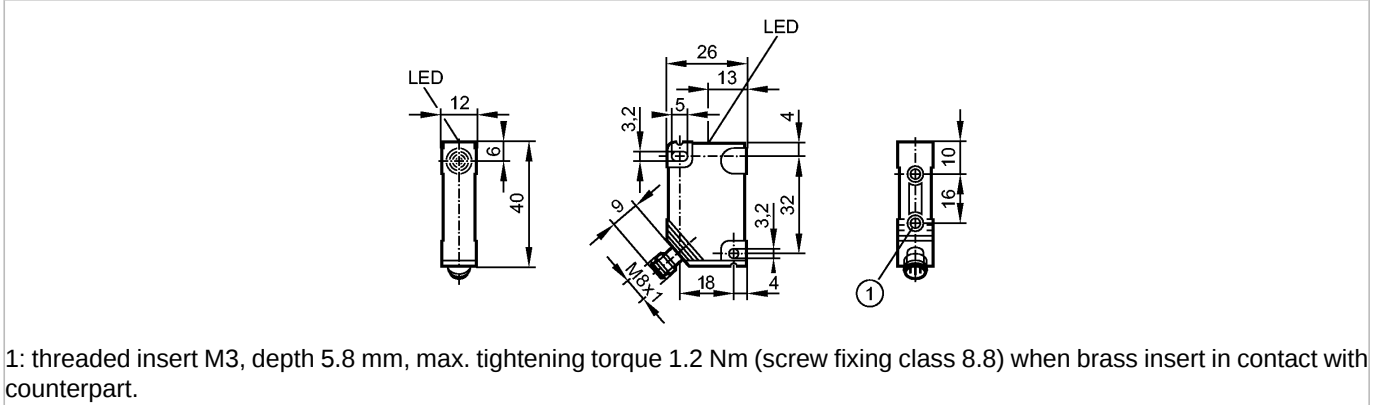
efectorio

IN5206



IN-3002-BPKG/AS-600-DPS

Inductive sensors



1: threaded insert M3, depth 5.8 mm, max. tightening torque 1.2 Nm (screw fixing class 8.8) when brass insert in contact with counterpart.



Product characteristics

Inductive sensor

Rectangular, plastics

Quick disconnect

Sensing range 2 mm; [f] flush mountable

Electrical data

Electrical design

DC PNP

Operating voltage [V]

10...55 DC

Current consumption [mA]

15 (24 V)

Reverse polarity protection

yes

Outputs

Output function

normally open

Voltage drop [V]

< 2.5

Current rating [mA]

250

Short-circuit protection

yes (non-latching)

Overload protection

yes

Switching frequency [Hz]

1400

Monitoring range

Sensing range [mm]

2

Real sensing range (Sr) [mm]

2 ± 10 %

Operating distance [mm]

0...1.6

Accuracy / deviations

Correction factors

mild steel = 1 / stainless steel approx. 0.7 / brass approx. 0.5 / aluminium approx. 0.4 / copper approx. 0.3

Hysteresis [% of Sr]

3...15

Switch-point drift [% of Sr]

-10...10

Environment

Ambient temperature [°C]

-25...80

Protection

IP 67

Tests / approvals

EMC

EN 60947-5-2

MTTF [Years]

2577

Mechanical data

Mounting

flush mountable

Housing materials

PBT (Pocan); connector housing: brass nickel-plated

Weight [kg]

0.021

Displays / operating elements

Output status indication LED

yellow

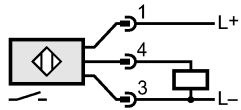
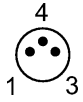
IN5206 - Inductive sensor - eclass: 27270101 / 27-27-01-01

Electrical connection

Connection

M8 connector

Wiring



Remarks

Pack quantity

[piece]

1

ifm efector, inc. • 1100 Atwater Drive • Malvern • PA 19355 — We reserve the right to make technical alterations without prior notice. — US — IN5206 — 06.03.2003

no longer available - archive entry Alternative article: IN5230

When selecting an alternative article and accessories please note that technical data may differ!