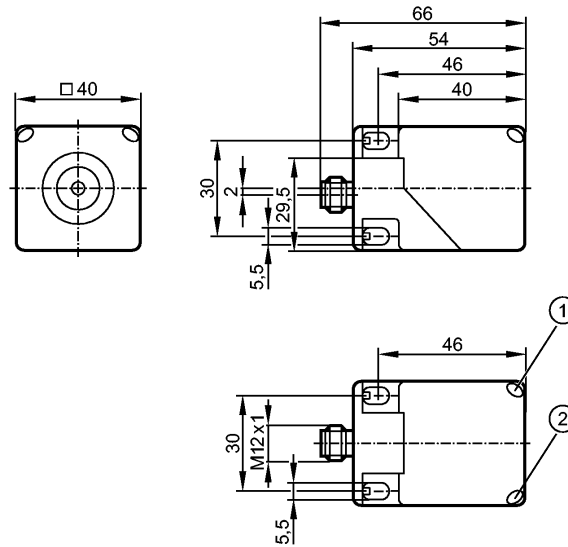


IM5115

IMC3020BBPKG/US-100-DPS

Inductive sensors



- 1: LED yellow
- 2: LED green



Product characteristics

Inductive sensor
Rectangular, plastics
Quick disconnect
5 positions of the sensing face selectable
gold-plated contacts
Sensing range 20 mm; [f] flush mountable

Electrical data

Electrical design	DC PNP
Operating voltage [V]	10...36 DC; cULus - Class 2 source required
Current consumption [mA]	< 20
Protection class	II
Reverse polarity protection	yes

Outputs

Output function	normally open
Voltage drop [V]	< 2.5
Current rating [mA]	200
Short-circuit protection	yes (non-latching)
Overload protection	yes
Switching frequency [Hz]	100

Monitoring range

Sensing range [mm]	20
Operating distance [mm]	0...16.2

Accuracy / deviations

Correction factors	mild steel = 1 / stainless steel approx. 0.7 / brass approx. 0.4 / aluminium approx. 0.4 / copper approx. 0.3
Hysteresis [% of Sr]	1...20

Environment

Ambient temperature [°C]	-25...70
--------------------------	----------

IM5115

IMC3020BBPKG/US-100-DPS

Inductive sensors

Protection	IP 67
------------	-------

Tests / approvals

EMC	EN 61000-4-2 ESD: 8 kV CD / 4 kV AD EN 61000-4-3 HF radiated: 10 V/m EN 61000-4-4 Burst: 2 kV EN 61000-4-6 HF conducted: 10 V EN 55011: class B
-----	---

MTTF [Years]	1590
--------------	------

Mechanical data

Mounting	flush mountable
----------	-----------------

Housing materials	PA (polyamide)
-------------------	----------------

Weight [kg]	0.144
-------------	-------

Displays / operating elements

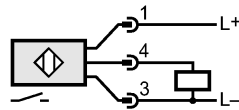
Output status indication LED	yellow
------------------------------	--------

Power LED	green
-----------	-------

Electrical connection

Connection	M12 connector; rotatable, locking, gold-plated contacts
------------	---

Wiring



Remarks

Pack quantity [piece]	1
-----------------------	---