

no longer available - archive entry replaced by: IM5119

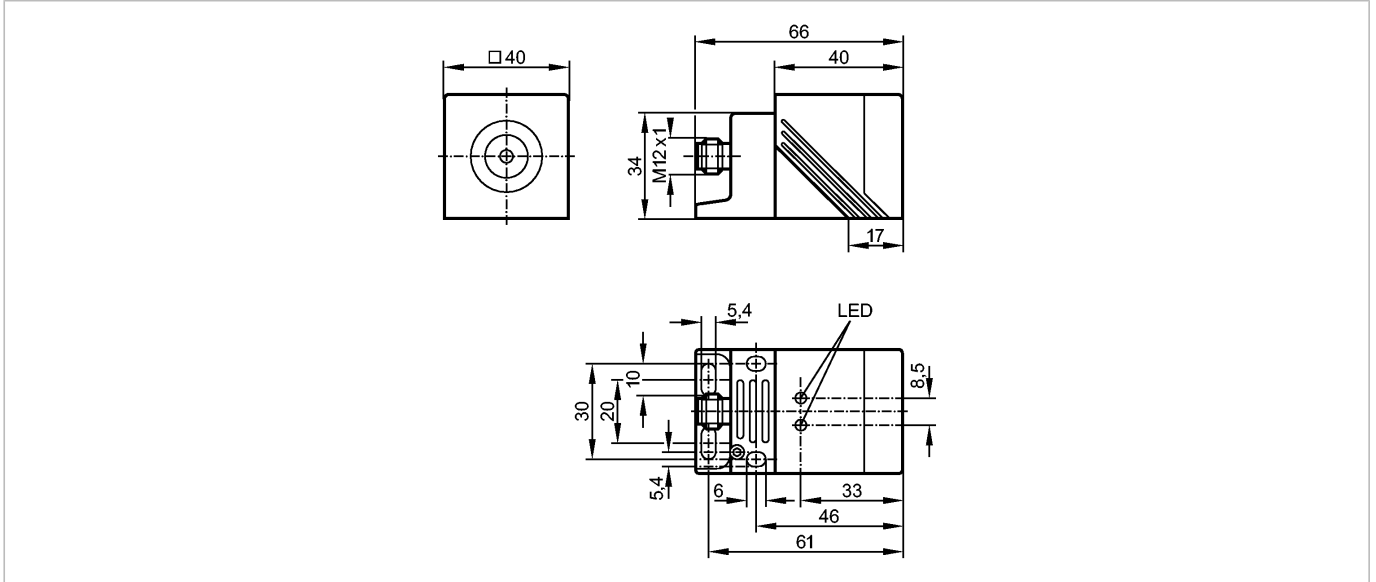
efector100

IM5103



IMC3020UBPKG/K1/SC/US-100-DPS

Inductive sensors



Product characteristics

Inductive sensor

Rectangular, plastics

Quick disconnect

Correction factor = 1

Sensing range 20 mm; [f] flush mountable

Electrical data

Electrical design

DC PNP

Operating voltage [V]

10...36 DC

Current consumption [mA]

20 (24 V)

Protection class

II

Reverse polarity protection

yes

Outputs

Output function

normally open

Voltage drop [V]

< 2.5

Current rating [mA]

250

Short-circuit protection

yes (non-latching)

Overload protection

yes

Switching frequency [Hz]

200

Monitoring range

Sensing range [mm]

20

Real sensing range (Sr) [mm]

20 ± 10 %

Operating distance [mm]

0...16.2

Accuracy / deviations

Correction factors

mild steel = 1 / stainless steel approx. 1.1 / Cu approx. 1.1 / aluminium approx. 1.1 / Cu approx. 1.1

Hysteresis [% of Sr]

3...15

Switch-point drift [% of Sr]

-10...10

Environment

Ambient temperature [°C]

-25...70

Protection

IP 67

Tests / approvals

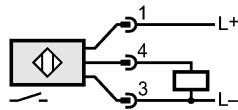
EMC

EN 60947-5-2

IM5103 - Inductive sensor - eclass: 27270101 / 27-27-01-01

Mechanical data	EN 55011:	class B
Mounting	flush mountable	
Housing materials	connector housing: brass; bracket: PPS; end cap: PPS; housing: PPE; cover: PPE PTFE-coated	
Weight [kg]	0.156	
Displays / operating elements		
Output status indication LED	yellow	
Power LED	green	
Electrical connection		
Connection	M12 connector	

Wiring



Accessories		
Accessories (included)	Mounting bracket; hex-wrench	
Remarks		
Pack quantity [piece]	1	

ifm efector, inc. • 1100 Atwater Drive • Malvern • PA 19355 — We reserve the right to make technical alterations without prior notice. — US — IM5103 — 06.03.2003
no longer available - archive entry replaced by: IM5119