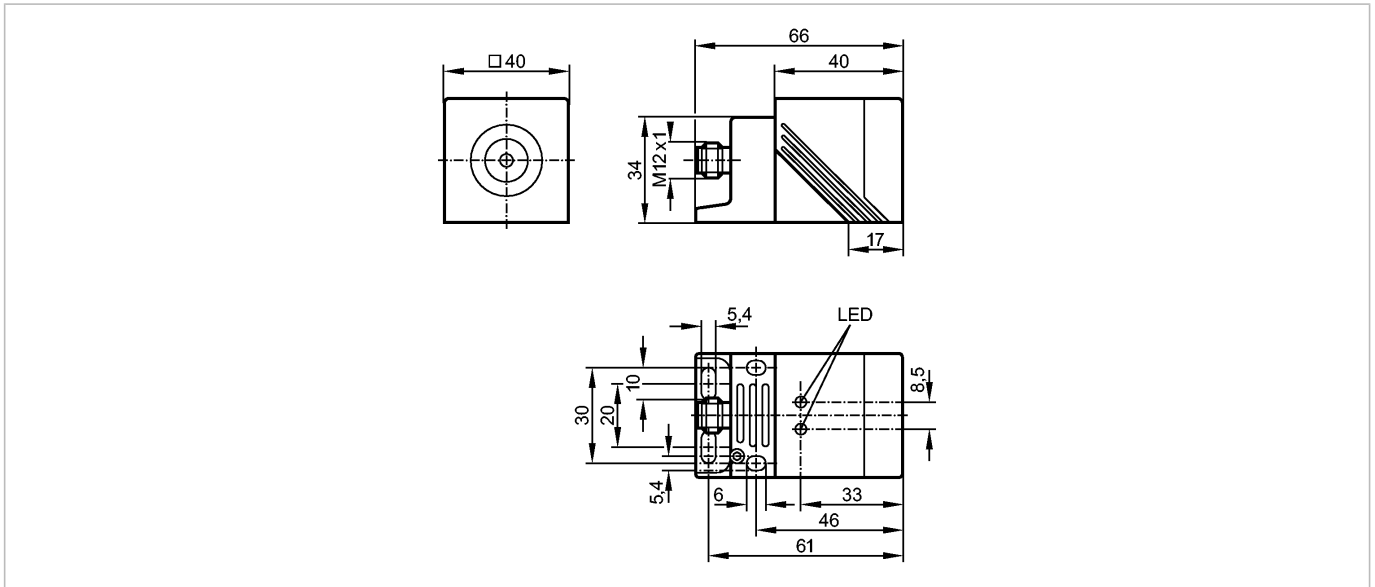


**IM5098**

IMC4035UCPKG/K1/SC/US-100-DPA

Inductive sensors



**Product characteristics**

Inductive sensor

Rectangular, plastics

Quick disconnect

Weld field immune

Correction factor = 1

Sensing range 35 mm; [nf] non-flush mountable

**Electrical data**

|                             |      |            |
|-----------------------------|------|------------|
| Electrical design           |      | DC PNP     |
| Operating voltage           | [V]  | 10...36 DC |
| Current consumption         | [mA] | 20 (24 V)  |
| Protection class            |      | II         |
| Reverse polarity protection |      | yes        |

**Outputs**

|                          |      |                    |
|--------------------------|------|--------------------|
| Output function          |      | complementary      |
| Voltage drop             | [V]  | < 2.5              |
| Current rating           | [mA] | 250                |
| Short-circuit protection |      | yes (non-latching) |
| Overload protection      |      | yes                |
| Switching frequency      | [Hz] | 250                |

**Monitoring range**

|                         |      |           |
|-------------------------|------|-----------|
| Sensing range           | [mm] | 35        |
| Real sensing range (Sr) | [mm] | 35 ± 10 % |
| Operating distance      | [mm] | 0...28.3  |

**Accuracy / deviations**

|                    |           |   |
|--------------------|-----------|---|
| Correction factors |           | mild steel = 1 / stainless steel approx. 1 / brass approx. 1 / aluminium approx. 1 / copper approx. 1 |
| Hysteresis         | [% of Sr] | 1...15  |
| Switch-point drift | [% of Sr] | -10...10  |

**Environment**

## IM5098

IMC4035UCPKG/K1/SC/US-100-DPA

Inductive sensors

|                     |      |          |
|---------------------|------|----------|
| Ambient temperature | [°C] | -25...70 |
| Protection          |      | IP 67    |

### Tests / approvals

|      |         |              |
|------|---------|--------------|
| EMC  |         | EN 60947-5-2 |
| MTTF | [Years] | 943          |

### Mechanical data

|                   |      |  |
|-------------------|------|--|
| Mounting          |      | non-flush mountable  |
| Housing materials |      | housing: PPE; cover: PPE PTFE-coated; connector housing: brass white bronze coated; end cap: PPS; bracket: PPS |
| Weight            | [kg] | 0.143  |

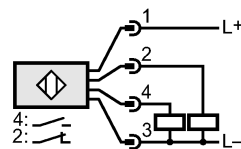
### Displays / operating elements

|                          |     |        |
|--------------------------|-----|--------|
| Output status indication | LED | yellow |
| Power                    | LED | green  |

### Electrical connection

|            |  |               |
|------------|--|---------------|
| Connection |  | M12 connector |
|------------|--|---------------|

#### Wiring



### Accessories

|                        |  |                              |
|------------------------|--|------------------------------|
| Accessories (included) |  | Mounting bracket; hex-wrench |
|------------------------|--|------------------------------|

### Remarks

|               |         |   |
|---------------|---------|---|
| Remarks       |         | 5 positions of the active zone possible |
| Pack quantity | [piece] | 1                                       |