

no longer available - archive entry Alternative article: IM5116 or IM5117

When selecting an alternative article and accessories please note that technical data may differ!

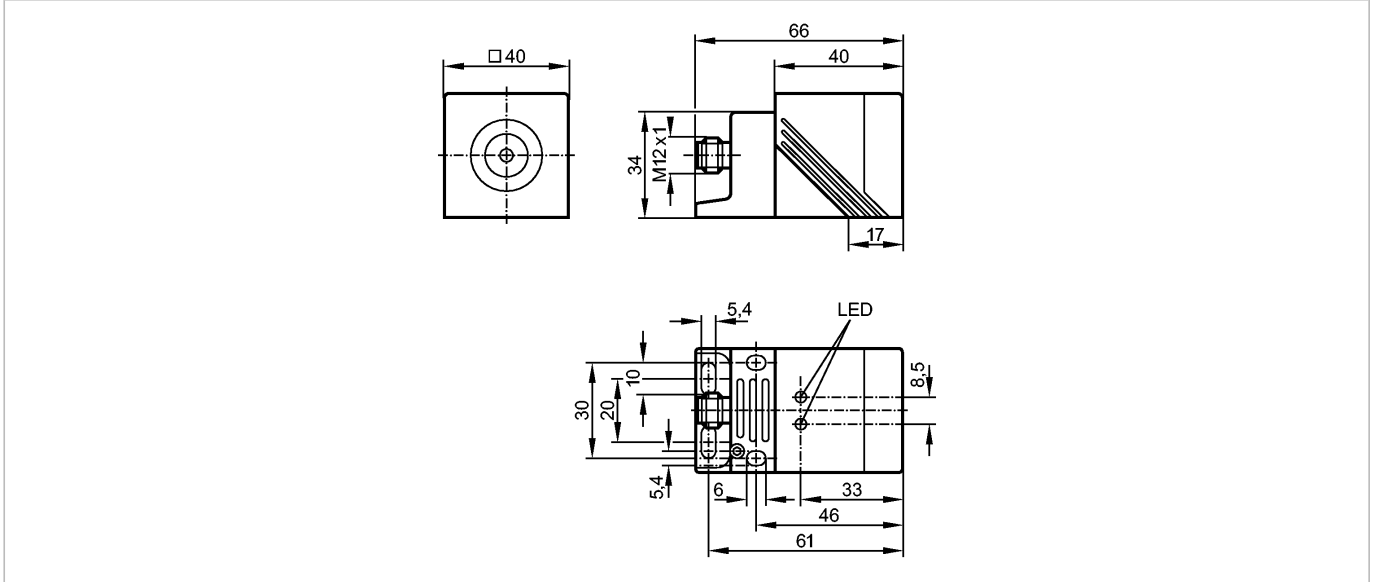
efectorio

IM5095



IMC3035-BPKG/US-100-DPS

Inductive sensors



Product characteristics

Inductive sensor

Rectangular, plastics

Quick disconnect

Sensing range 35 mm; [nf] non-flush mountable

Electrical data

Electrical design

DC PNP

Operating voltage [V]

10...36 DC

Current consumption [mA]

15 (24 V)

Protection class

II

Reverse polarity protection

yes

Outputs

Output function

normally open

Voltage drop [V]

< 2.5

Current rating [mA]

250

Short-circuit protection

yes (non-latching)

Overload protection

yes

Switching frequency [Hz]

100

Monitoring range

Sensing range [mm]

35

Accuracy / deviations

Correction factors

mild steel = 1 / stainless steel approx. 0.7 / brass approx. 0.4 / aluminium approx. 0.4 / copper approx. 0.3

Environment

Ambient temperature [°C]

-25...70

Protection

IP 67

Tests / approvals

EMC

EN 60947-5-2

Mechanical data

Mounting

non-flush mountable

Housing materials

housing: PPE; active face: PPE; end cap: diecast zinc; connector housing: brass white bronze coated; bracket: diecast zinc

Weight [kg]

0.259

IM5095 - Inductive sensor - eclass: 27270101 / 27-27-01-01

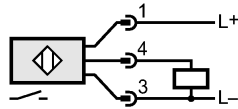
Displays / operating elements

Output status indication	LED	yellow
Power	LED	green

Electrical connection

Connection	M12 connector
------------	---------------

Wiring



Accessories

Accessories (included)	Mounting bracket; hex-wrench
------------------------	------------------------------

Remarks

Remarks	5 positions of the active zone possible
---------	---

Pack quantity	[piece]	1
---------------	---------	---

ifm efector, inc. • 1100 Atwater Drive • Malvern • PA 19355 — We reserve the right to make technical alterations without prior notice. — US — IM5095 — 06.03.2003

no longer available - archive entry Alternative article: IM5116 or IM5117

When selecting an alternative article and accessories please note that technical data may differ!