

no longer available - archive entry Alternative article: IM5125 or IM5126

When selecting an alternative article and accessories please note that technical data may differ!

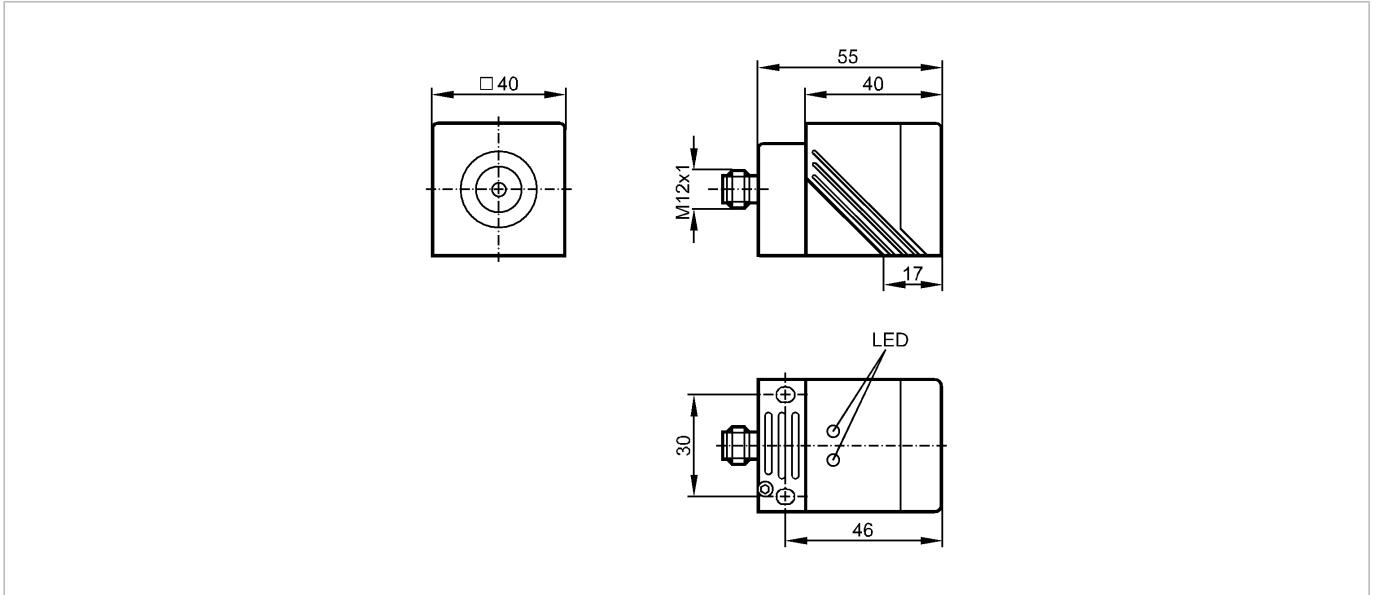
efector100

IM5089



IMC4035-CPKG/SC/US-100-DPA

Inductive sensors



Product characteristics

Inductive sensor

Rectangular, plastics

Quick disconnect

Sensing range 35 mm; [nf] non-flush mountable

Electrical data

Electrical design

DC PNP

Operating voltage [V]

10...36 DC

Current consumption [mA]

20 (24 V)

Protection class

II

Reverse polarity protection

yes

Outputs

Output function

complementary

Voltage drop [V]

< 2.5

Current rating [mA]

250

Short-circuit protection

yes (non-latching)

Overload protection

yes

Switching frequency [Hz]

100

Monitoring range

Sensing range [mm]

35

Real sensing range (Sr) [mm]

35 ± 10 %

Operating distance [mm]

0...28.3

Accuracy / deviations

Correction factors

mild steel = 1 / stainless steel approx. 0.7 / brass approx. 0.4 / aluminium approx. 0.3 / copper approx. 0.2

Hysteresis [% of Sr]

1...15

Switch-point drift [% of Sr]

-10...10

Environment

Ambient temperature [°C]

-25...70

Protection

IP 67

Tests / approvals

EMC

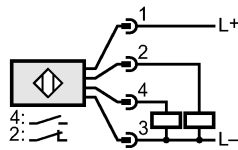
EN 60947-5-2

IM5089 - Inductive sensor - eclass: 27270101 / 27-27-01-01

Mechanical data

Mounting	non-flush mountable	
Housing materials	housing: PPE; cover: PEI PTFE-coated; connector housing: brass nickel-plated; end cap: diecast zinc; bracket: diecast zinc	
Weight [kg]	0.25	
Displays / operating elements		
Output status indication	LED	yellow
Power	LED	green
Electrical connection		
Connection	M12 connector	

Wiring



Accessories

Accessories (included)	Mounting bracket; hex-wrench	
Remarks		
Remarks	5 positions of the active zone possible	
Pack quantity [piece]	1	

ifm efector, inc. • 1100 Atwater Drive • Malvern • PA 19355 — We reserve the right to make technical alterations without prior notice. — US — IM5089 — 06.03.2003
 no longer available - archive entry Alternative article: IM5125 or IM5126

When selecting an alternative article and accessories please note that technical data may differ!