

no longer available - archive entry replaced by: IM5124

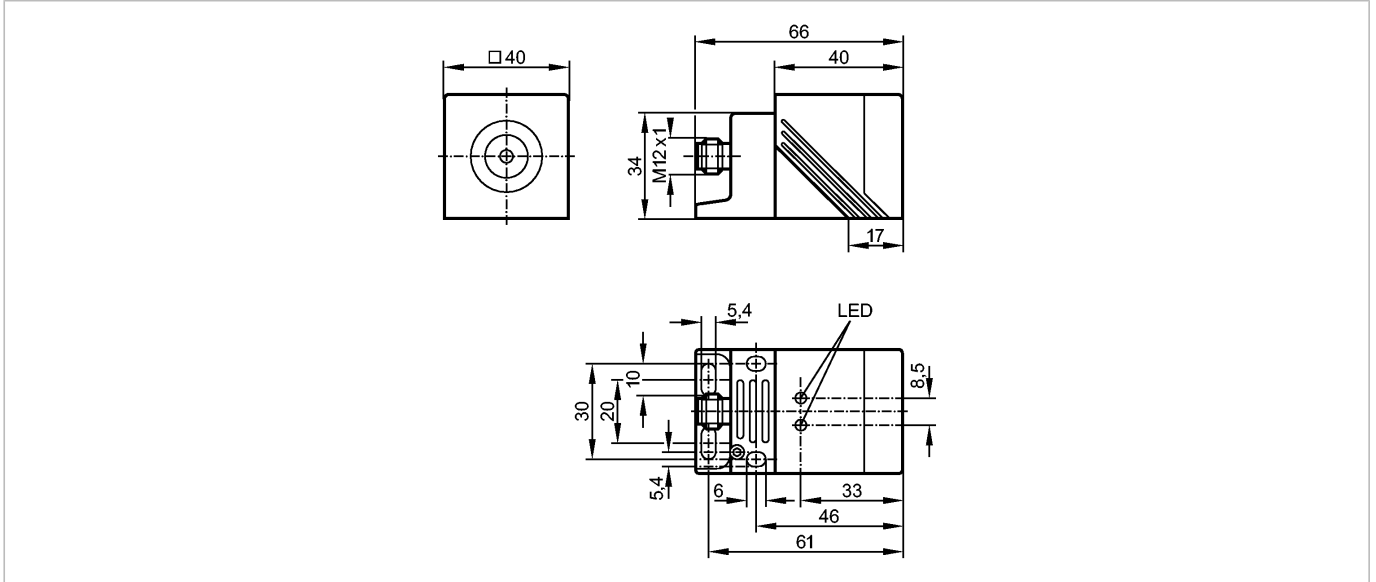
efector100

IM5073



IMC4020UCPKG/K1/SC/US-100-DPA

Inductive sensors



Product characteristics

Inductive sensor

Rectangular, plastics

Quick disconnect

Correction factor = 1

Sensing range 20 mm; [f] flush mountable

Electrical data

Electrical design

DC PNP

Operating voltage [V]

10...36 DC

Current consumption [mA]

20 (24 V)

Protection class

II

Reverse polarity protection

yes

Outputs

Output function

complementary

Voltage drop [V]

< 2.5

Current rating [mA]

250

Short-circuit protection

yes (non-latching)

Overload protection

yes

Switching frequency [Hz]

200

Monitoring range

Sensing range [mm]

20

Real sensing range (Sr) [mm]

20 ± 10 %

Operating distance [mm]

0...16.2

Accuracy / deviations

Correction factors

mild steel = 1 / stainless steel approx. 1.1 / brass approx. 1.1 / aluminium approx. 1.1 / Cu approx. 1.1

Hysteresis [% of Sr]

3...15

Switch-point drift [% of Sr]

-10...10

Environment

Ambient temperature [°C]

-25...70

Protection

IP 67

Tests / approvals

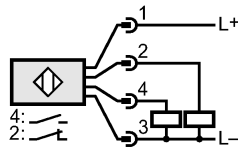
EMC

EN 60947-5-2

IM5073 - Inductive sensor - eclass: 27270101 / 27-27-01-01

	EN 55011:	class B
Mechanical data		
Mounting		flush mountable
Housing materials		connector housing: brass; bracket: PPS; end cap: PPS; housing: PPE; cover: PPE PTFE-coated
Weight [kg]		0.154
Displays / operating elements		
Output status indication	LED	yellow
Power	LED	green
Electrical connection		
Connection		M12 connector

Wiring



Accessories		
Accessories (included)		Mounting bracket; hex-wrench
Remarks		
Pack quantity [piece]		1

ifm efector, inc. • 1100 Atwater Drive • Malvern • PA 19355 — We reserve the right to make technical alterations without prior notice. — US — IM5073 — 06.03.2003
no longer available - archive entry replaced by: IM5124