

no longer available - archive entry replaced by: IM5132

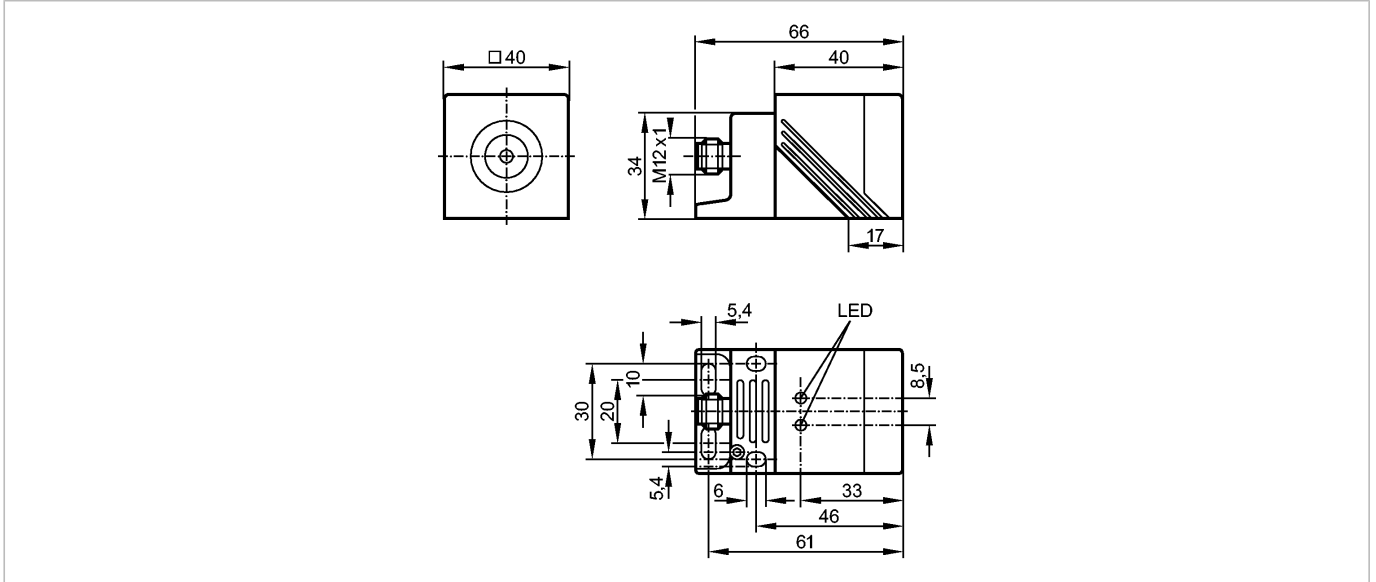
efector100

IM5067



IMC4020BCPKG/K1/US-100-DPA

Inductive sensors



Product characteristics

Inductive sensor	
Rectangular, plastics	
Quick disconnect	
Correction factor = 1	
Sensing range 20 mm; [f] flush mountable	
Electrical data	
Electrical design	DC PNP
Operating voltage [V]	10...36 DC
Current consumption [mA]	20 (24 V)
Protection class	II
Reverse polarity protection	yes
Outputs	
Output function	complementary
Voltage drop [V]	< 2.5
Current rating [mA]	250
Short-circuit protection	yes (non-latching)
Overload protection	yes
Switching frequency [Hz]	200
Monitoring range	
Sensing range [mm]	20
Real sensing range (Sr) [mm]	20 ± 10 %
Operating distance [mm]	0...16.2
Accuracy / deviations	
Correction factors	mild steel = 1 / stainless steel approx. 1.1 / brass approx. 1.1 / aluminium approx. 1.1 / Cu approx. 1.1
Hysteresis [% of Sr]	3...15
Switch-point drift [% of Sr]	-10...10
Environment	
Ambient temperature [°C]	-25...70
Protection	IP 67

Tests / approvals

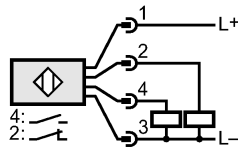
EMC

EN 60947-5-2

IM5067 - Inductive sensor - eclass: 27270101 / 27-27-01-01

	EN 55011:	class B
Mechanical data		
Mounting		flush mountable
Housing materials		housing: PPE; active face: PPE; end cap: PPS; connector housing: brass white bronze coated; bracket: PPS
Weight [kg]		0.154
Displays / operating elements		
Output status indication	LED	yellow
Power	LED	green
Electrical connection		
Connection		M12 connector

Wiring



Accessories		
Accessories (included)		Mounting bracket; hex-wrench
Remarks		
Pack quantity [piece]		1

ifm efector, inc. • 1100 Atwater Drive • Malvern • PA 19355 — We reserve the right to make technical alterations without prior notice. — US — IM5067 — 06.03.2003
 no longer available - archive entry replaced by: IM5132