

no longer available - archive entry Alternative article: IM5134 or IM5136

When selecting an alternative article and accessories please note that technical data may differ!

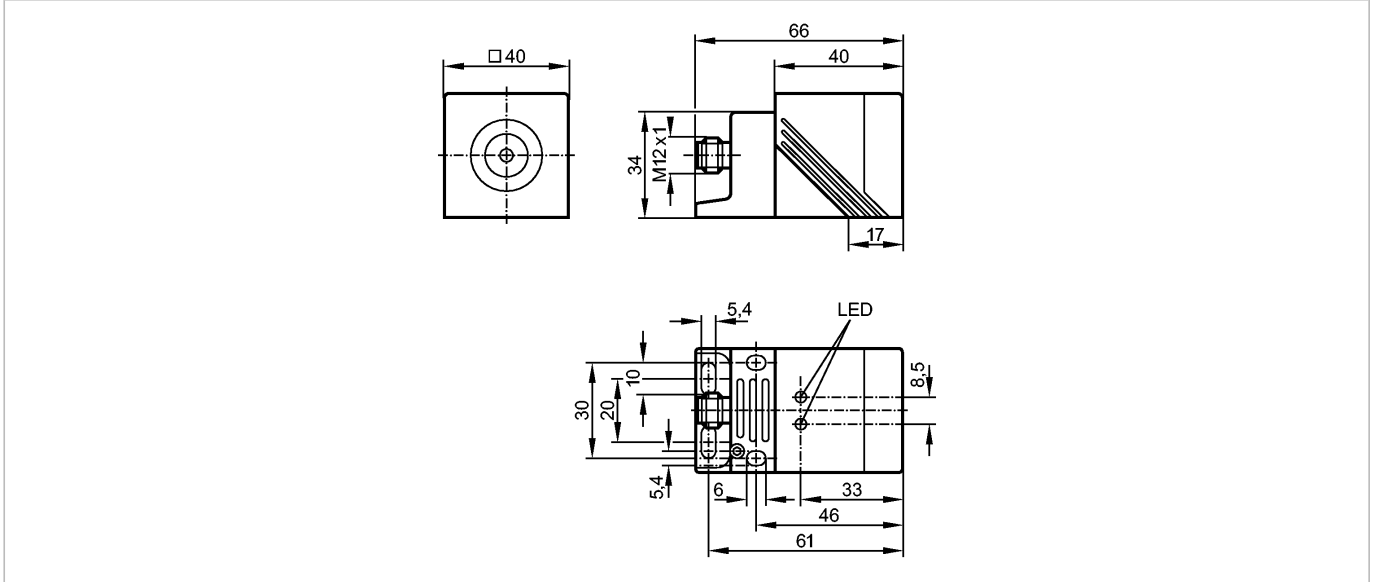
efectorio

IM5066



IMC4035-CPKG/US-100-DPA

Inductive sensors



Product characteristics

Inductive sensor

Rectangular, plastics

Quick disconnect

Sensing range 35 mm; [nf] non-flush mountable

Electrical data

Electrical design

DC PNP

Operating voltage [V]

10...36 DC

Current consumption [mA]

20 (24 V)

Protection class

II

Reverse polarity protection

yes

Outputs

Output function

complementary

Voltage drop [V]

< 2.5

Current rating [mA]

250

Short-circuit protection

yes (non-latching)

Overload protection

yes

Switching frequency [Hz]

100

Monitoring range

Sensing range [mm]

35

Real sensing range (Sr) [mm]

35 ± 10 %

Operating distance [mm]

0...28.3

Accuracy / deviations

Correction factors

mild steel = 1 / stainless steel approx. 0.7 / brass approx. 0.4 / aluminium approx. 0.3 / copper approx. 0.2

Hysteresis [% of Sr]

1...15

Switch-point drift [% of Sr]

-10...10

Environment

Ambient temperature [°C]

-25...70

Protection

IP 67

Tests / approvals

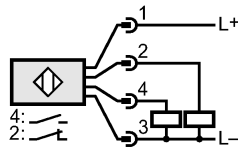
EMC

EN 60947-5-2

IM5066 - Inductive sensor - eclass: 27270101 / 27-27-01-01

| | | |
|-------------------------------|----------------------------------------------------------------------------------------------------------|---------|
| Mechanical data | EN 55011: | class B |
| Mounting | non-flush mountable | |
| Housing materials | housing: PPE; active face: PPE; end cap: PPS; connector housing: brass white bronze coated; bracket: PPS | |
| Weight [kg] | 0.173 | |
| Displays / operating elements | | |
| Output status indication LED | yellow | |
| Power LED | green | |
| Electrical connection | | |
| Connection | M12 connector | |

Wiring



| | | |
|------------------------|-----------------------------------------|--|
| Accessories | | |
| Accessories (included) | Mounting bracket; hex-wrench | |
| Remarks | | |
| Remarks | 5 positions of the active zone possible | |
| Pack quantity [piece] | 1 | |

ifm efector, inc. • 1100 Atwater Drive • Malvern • PA 19355 — We reserve the right to make technical alterations without prior notice. — US — IM5066 — 06.03.2003
 no longer available - archive entry Alternative article: IM5134 or IM5136

When selecting an alternative article and accessories please note that technical data may differ!