

no longer available - archive entry replaced by: IM5119

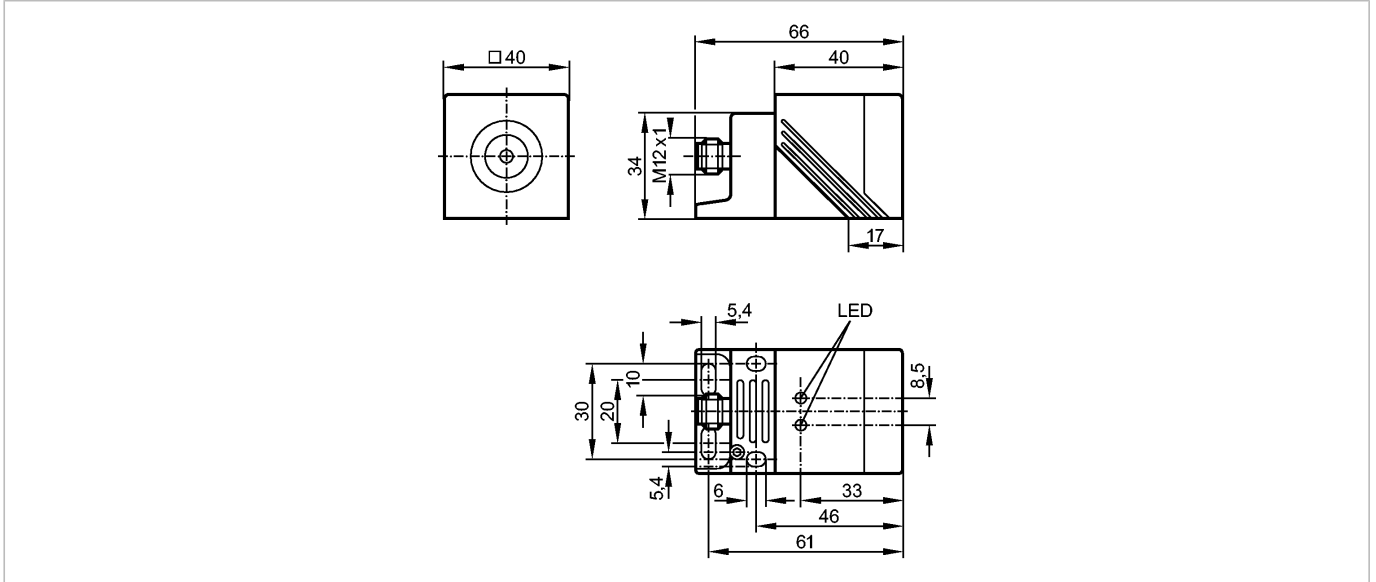
efector100

IM5058



IMC3015UBPKG/SC/US-100-DPS

Inductive sensors



Product characteristics

Inductive sensor	
Rectangular, plastics	
Quick disconnect	
Weld field immune	
Sensing range 15 mm; [f] flush mountable	
Electrical data	
Electrical design	DC PNP
Operating voltage [V]	10...36 DC
Current consumption [mA]	15 (24 V)
Protection class	II
Reverse polarity protection	yes
Outputs	
Output function	normally open
Voltage drop [V]	< 2.5
Current rating [mA]	250
Short-circuit protection	yes (non-latching)
Overload protection	yes
Switching frequency [Hz]	300
Monitoring range	
Sensing range [mm]	15
Real sensing range (Sr) [mm]	15 ± 10 %
Operating distance [mm]	0...12.1
Accuracy / deviations	
Correction factors	mild steel = 1 / stainless steel approx. 0.7 / brass approx. 0.4 / aluminium approx. 0.3 / copper approx. 0.2
Hysteresis [% of Sr]	1...15
Switch-point drift [% of Sr]	-10...10
Environment	
Ambient temperature [°C]	-25...70
Protection	IP 67

Tests / approvals

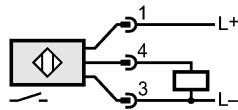
EMC

EN 60947-5-2

IM5058 - Inductive sensor - eclass: 27270101 / 27-27-01-01

Mechanical data	EN 55011:	class B
Mounting		flush mountable
Housing materials		housing: PBT; cover: PEI PTFE-coated; connector housing: brass nickel-plated; bracket: PPS
Weight [kg]		0.14
Displays / operating elements		
Output status indication	LED	yellow
Power	LED	green
Electrical connection		
Connection		M12 connector

Wiring



Accessories		
Accessories (included)		Mounting bracket; hex-wrench
Remarks		
Remarks		5 positions of the active zone possible
Pack quantity [piece]		1

ifm efector, inc. • 1100 Atwater Drive • Malvern • PA 19355 — We reserve the right to make technical alterations without prior notice. — US — IM5058 — 06.03.2003
 no longer available - archive entry replaced by: IM5119