

no longer available - archive entry Alternative article: IM5115

When selecting an alternative article and accessories please note that technical data may differ!

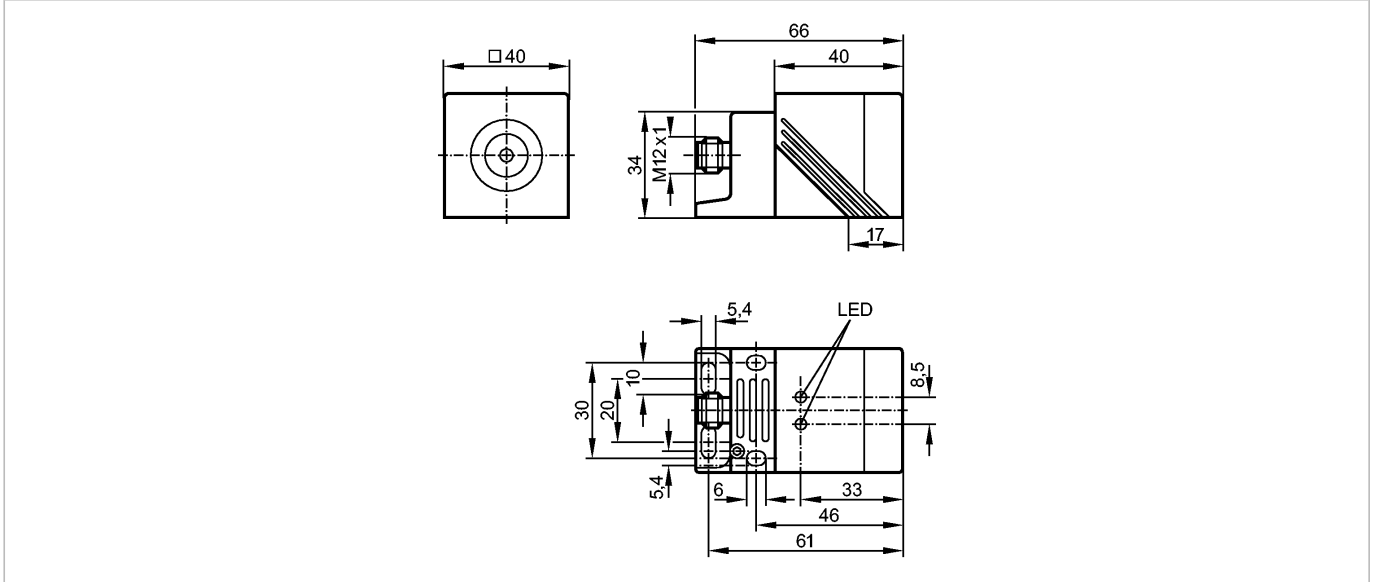
**efectorio**

IM5057



IMC3015-BPKG/US-100-DPS

Inductive sensors



Product characteristics

Inductive sensor

Rectangular, plastics

Quick disconnect

Sensing range 15 mm; [f] flush mountable

Electrical data

Electrical design

DC PNP

Operating voltage [V]

10...36 DC

Current consumption [mA]

15 (24 V)

Protection class

II

Reverse polarity protection

yes

Outputs

Output function

normally open

Voltage drop [V]

< 2.5

Current rating [mA]

250

Short-circuit protection

yes (non-latching)

Overload protection

yes

Switching frequency [Hz]

300

Monitoring range

Sensing range [mm]

15

Real sensing range (Sr) [mm]

15 ± 10 %

Operating distance [mm]

0...12.1

Accuracy / deviations

Correction factors

mild steel = 1 / stainless steel approx. 0.7 / brass approx. 0.4 / aluminium approx. 0.4 / copper approx. 0.3

Hysteresis [% of Sr]

1...15

Switch-point drift [% of Sr]

-10...10

Environment

Ambient temperature [°C]

-25...70

Protection

IP 67

Tests / approvals

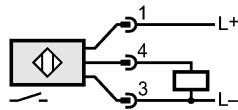
EMC

EN 60947-5-2

**IM5057 - Inductive sensor - eclass: 27270101 / 27-27-01-01**

	EN 55011:	class B
Mechanical data		
Mounting		flush mountable
Housing materials		housing: PBT; active face: PPE; connector housing: brass nickel-plated; bracket: PPS
Weight [kg]		0.139
Displays / operating elements		
Output status indication LED		yellow
Power LED		green
Electrical connection		
Connection		M12 connector

**Wiring**



Accessories		
Accessories (included)		Mounting bracket; hex-wrench
Remarks		
Remarks		5 positions of the active zone possible
Pack quantity [piece]		1

ifm efector, inc. • 1100 Atwater Drive • Malvern • PA 19355 — We reserve the right to make technical alterations without prior notice. — US — IM5057 — 06.03.2003  
 no longer available - archive entry Alternative article: IM5115

When selecting an alternative article and accessories please note that technical data may differ!