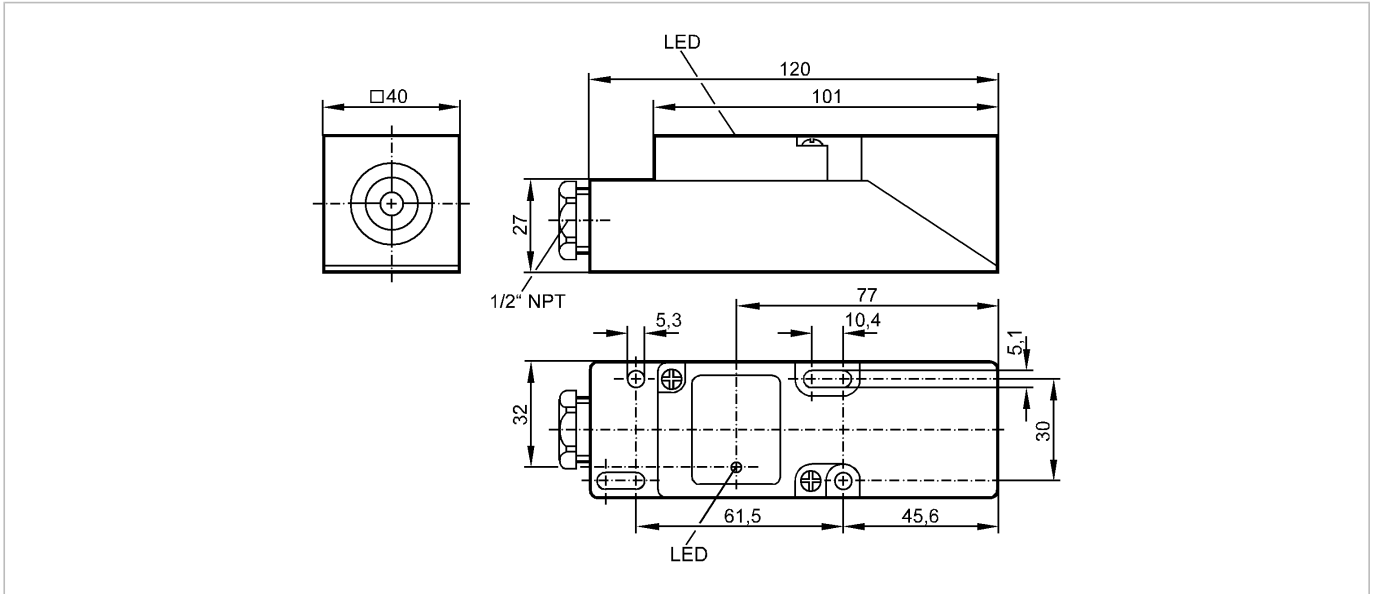


IME3015BFPKG/NPT RT

Inductive sensors



Product characteristics

Inductive sensor

Rectangular, plastics

Terminals

Sensing range 15 mm; [f] flush mountable

Electrical data

Electrical design

DC PNP

Operating voltage [V]

10...36 DC

Current consumption [mA]

15 (24 V)

Protection class

II

Reverse polarity protection

yes

Outputs

Output function

normally open / closed programmable

Voltage drop [V]

< 2.5

Current rating [mA]

250

Short-circuit protection

yes (non-latching)

Overload protection

yes

Switching frequency [Hz]

350

Monitoring range

Sensing range [mm]

15

Real sensing range (Sr) [mm]

15 ± 10 %

Operating distance [mm]

0...12.1

Accuracy / deviations

Correction factors

mild steel = 1 / stainless steel approx. 0.7 / brass approx. 0.4 / aluminium approx. 0.3 / copper approx. 0.2

Hysteresis [% of Sr]

1...15

Switch-point drift [% of Sr]

-10...10

Environment

Ambient temperature [°C]

-25...80

Protection

IP 65

Tests / approvals

EMC

EN 60947-5-2

MTTF [Years]

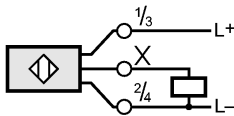
1727

Mechanical data

IM5052 - Inductive sensor - eclass: 27270101 / 27-27-01-01

Mounting		flush mountable
Housing materials		PPE
Weight	[kg]	0.196
Displays / operating elements		
Output status indication	LED	yellow
Electrical connection		
Connection		terminals up to 2.5 mm ² ; cable diameter 7...13 mm

Wiring



Remarks

Pack quantity	[piece]	1
---------------	---------	---