

no longer available - archive entry Alternative article: IM5037

When selecting an alternative article and accessories please note that technical data may differ!

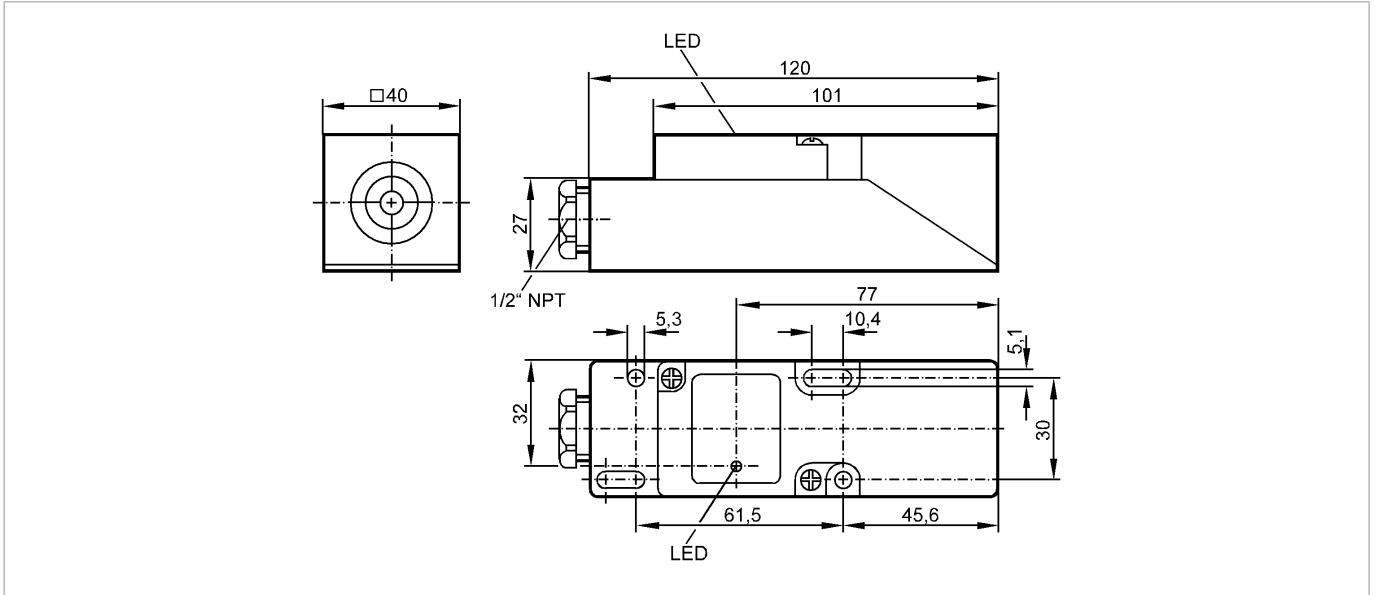
**efectorio**

IM5042



IME2015-FRKG/NPT RT

Inductive sensors



Product characteristics

Inductive sensor

Rectangular, plastics

Terminals

Sensing range 15 mm; [f] flush mountable

Electrical data

Electrical design

DC PNP/NPN

Operating voltage [V]

10...55 DC

Protection class

II

Reverse polarity protection

yes

Outputs

Output function

normally open / closed programmable

Voltage drop [V]

< 4.6

Minimum load current [mA]

4

Leakage current [mA]

< 1

Current rating [mA]

400

Short-circuit protection

yes (non-latching)

Overload protection

yes

Switching frequency [Hz]

350

Monitoring range

Sensing range [mm]

15

Real sensing range (Sr) [mm]

15 ± 10 %

Operating distance [mm]

0...12.1

Accuracy / deviations

Correction factors

mild steel = 1 / stainless steel approx. 0.7 / brass approx. 0.4 / aluminium approx. 0.3 / copper approx. 0.2

Hysteresis [% of Sr]

1...15

Switch-point drift [% of Sr]

-10...10

Environment

Ambient temperature [°C]

-25...80

Protection

IP 65

Tests / approvals

**IM5042 - Inductive sensor - eclass: 27270101 / 27-27-01-01**

EMC	EN 60947-5-2 EN 55011:	class B
MTTF [Years]		1635
Mechanical data		
Mounting		flush mountable
Housing materials		modified PPO
Weight [kg]		0.2
Displays / operating elements		
Output status indication LED		red
Electrical connection		
Connection		terminals up to 2.5 mm <sup>2</sup> ; cable diameter 7...13 mm

**Wiring**



Remarks		
Remarks		5 positions of the active zone possible
Pack quantity [piece]		1

ifm efector, inc. • 1100 Atwater Drive • Malvern • PA 19355 — We reserve the right to make technical alterations without prior notice. — US — IM5042 — 03.02.2009

no longer available - archive entry Alternative article: IM5037

When selecting an alternative article and accessories please note that technical data may differ!