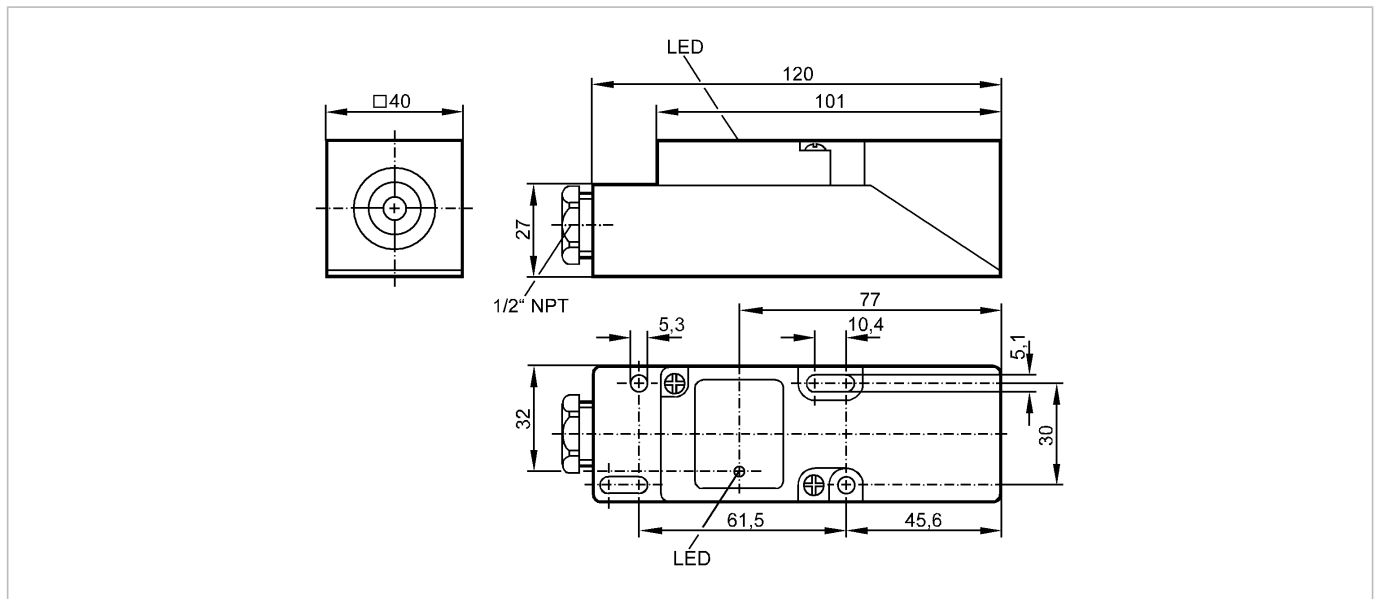


IM5024

IME3020-FPKG/NPT RT

Inductive sensors



Product characteristics

Inductive sensor
Rectangular, plastics
Terminals
Sensing range 20 mm; [nf] non-flush mountable

Electrical data

Electrical design	DC PNP
Operating voltage [V]	10...36 DC
Current consumption [mA]	15 (24 V)
Protection class	II
Reverse polarity protection	yes

Outputs

Output function	normally open / closed programmable
Voltage drop [V]	< 2.5
Current rating [mA]	250
Short-circuit protection	yes (non-latching)
Overload protection	yes
Switching frequency [Hz]	350

Monitoring range

Sensing range [mm]	20
Real sensing range (Sr) [mm]	20 ± 10 %
Operating distance [mm]	0...16.2

Accuracy / deviations

Correction factors	mild steel = 1 / stainless steel approx. 0.7 / brass approx. 0.4 / aluminium approx. 0.3 / copper approx. 0.2
Hysteresis [% of Sr]	1...15
Switch-point drift [% of Sr]	-10...10

Environment

Ambient temperature [°C]	-25...80
Protection	IP 65

IM5024

IME3020-FPKG/NPT RT

Inductive sensors

Tests / approvals

EMC	EN 60947-5-2 EN 55011:	class B
MTTF [Years]		1754

Mechanical data

Mounting	non-flush mountable
Housing materials	PPE
Weight [kg]	0.191

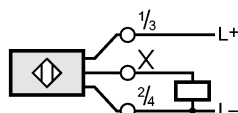
Displays / operating elements

Output status indication	LED	red
--------------------------	-----	-----

Electrical connection

Connection	terminals up to 2.5 mm ² ; cable diameter 7...13 mm
------------	--

Wiring



Remarks

Remarks	5 positions of the active zone possible
Pack quantity [piece]	1