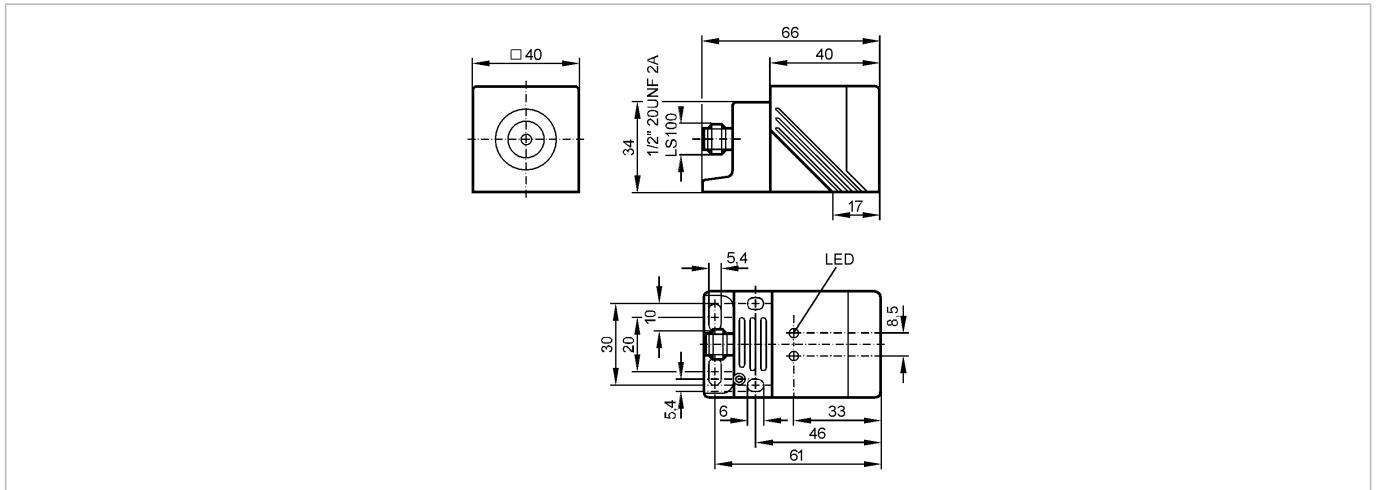


IM0057

IMC2035-BBOA/SL/LS-100AK

Inductive sensors



Product characteristics	
Inductive sensor	
Rectangular, plastics	
Quick disconnect	
Increased sensing range	
Sensing range 35 mm; [nf] non-flush mountable	
Electrical data	
Electrical design	AC/DC
Operating voltage [V]	20...250 AC/DC
Protection class	I
Reverse polarity protection	no
Outputs	
Output function	normally closed
Voltage drop [V]	< 6.5 AC / < 6 DC
Minimum load current [mA]	< 1.9
Leakage current [mA]	< 2.5 (250 V AC) / < 1.3 (130 V AC) / < 0.8 (24 V DC)
Current rating	
- Current rating (continuous) [mA]	250 AC / 100 DC; 350 AC (...50 °C)
- Current rating (peak) [mA]	î: 2.2 A (20 ms / 0.5 Hz)
Short-circuit proof	no
Overload protection	no
Switching frequency [Hz]	20 AC / 50 DC
Monitoring range	
Sensing range [mm]	35
Operating distance [mm]	0...28.3
Accuracy / deviations	
Correction factors	mild steel = 1 / stainless steel approx. 0.7 / brass approx. 0.4 / aluminium approx. 0.4 / copper approx. 0.3
Hysteresis [% of Sr]	3...15
Environment	
Ambient temperature [°C]	-25...70
Protection	IP 67

IM0057

IMC2035-BBOA/SL/LS-100AK

Inductive sensors

Tests / approvals

EMC	EN 60947-5-2 EN 55011:	class B
MTTF [Years]		600

Mechanical data

Mounting	non-flush mountable
Housing materials	PPE; bracket: PPS; connector housing: brass white bronze coated
Weight [kg]	0.165

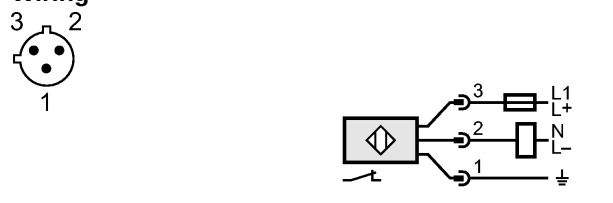
Displays / operating elements

Output status indication	LED	yellow
--------------------------	-----	--------

Electrical connection

Connection	1/2" connector
------------	----------------

Wiring



Note: miniature fuse to IEC60127-2 sheet 1, ≤ 2 A (fast acting)

Remarks

Remarks	Recommendation: check the unit for reliable function after a short circuit. 5 positions of the active zone possible
---------	--

Pack quantity [piece]	1
-----------------------	---