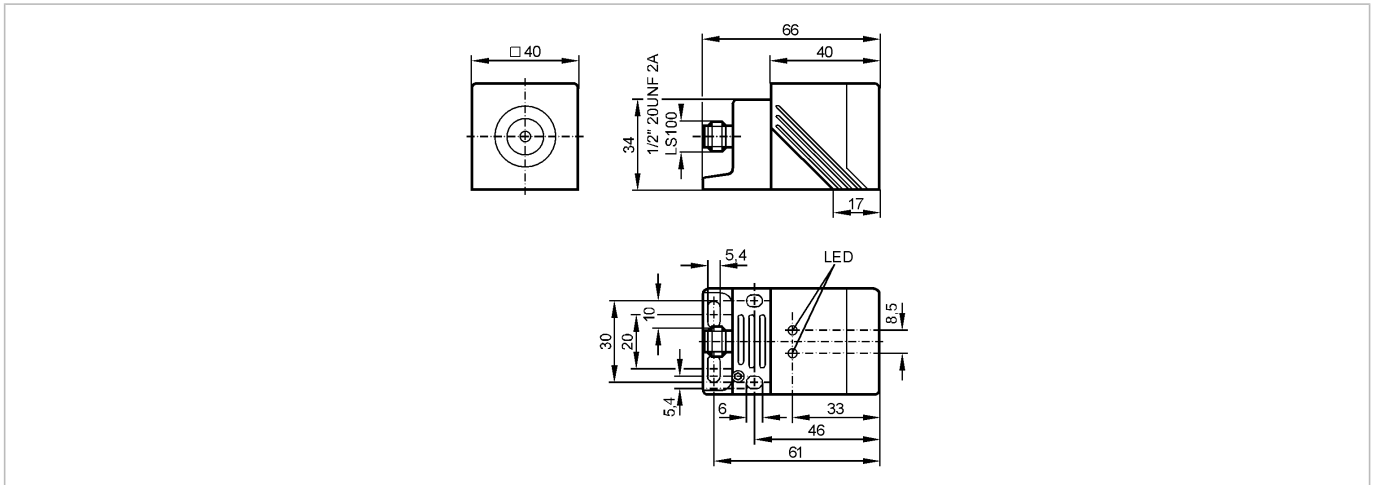


**IM0055**

IMC2020BARKA/LS-100AK RT

Inductive sensors



**Product characteristics**

Inductive sensor
Rectangular, plastics
Quick disconnect
Sensing range 20 mm; [f] flush mountable

**Electrical data**

Electrical design	AC/DC
Operating voltage [V]	20...140 AC / 10...140 DC (47...63 Hz AC)
Protection class	I
Reverse polarity protection	yes

**Outputs**

Output function	normally open
Voltage drop [V]	< 5.5
Minimum load current [mA]	5.5
Leakage current [mA]	< 1.7 (140 V AC/DC)

**Current rating**

- Current rating (continuous) [mA]	450
- Current rating (peak) [mA]	î: 2.2 A (20 ms / 0.5 Hz)
Short-circuit protection	yes (non-latching)
Overload protection	yes
Switching frequency [Hz]	25 AC / 100 DC

**Monitoring range**

Sensing range [mm]	20
Real sensing range (Sr) [mm]	20 ± 10 %
Operating distance [mm]	0...16.2

**Accuracy / deviations**

Correction factors	mild steel = 1 / stainless steel approx. 0.7 / brass approx. 0.4 / aluminium approx. 0.4 / copper approx. 0.3
Hysteresis [% of Sr]	3...20
Switch-point drift [% of Sr]	-10...10

**Environment**

Ambient temperature [°C]	-25...70
--------------------------	----------

**IM0055**

IMC2020BARKA/LS-100AK RT

**Inductive sensors**

Protection	IP 67
------------	-------

**Tests / approvals**

EMC	EN 60947-5-2
MTTF [Years]	351

**Mechanical data**

Mounting	flush mountable
Housing materials	housing: PPE; active face: PPE; end cap: diecast zinc; connector housing: brass white bronze coated; bracket: diecast zinc
Weight [kg]	0.259

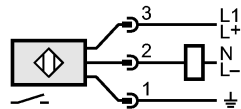
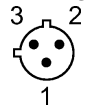
**Displays / operating elements**

Output status indication	LED	red
Power	LED	green
Function display	LED	green and red flashing alternately (short-circuit)

**Electrical connection**

Connection	1/2" connector
------------	----------------

**Wiring**



**Remarks**

Remarks	5 positions of the active zone possible
Pack quantity [piece]	1