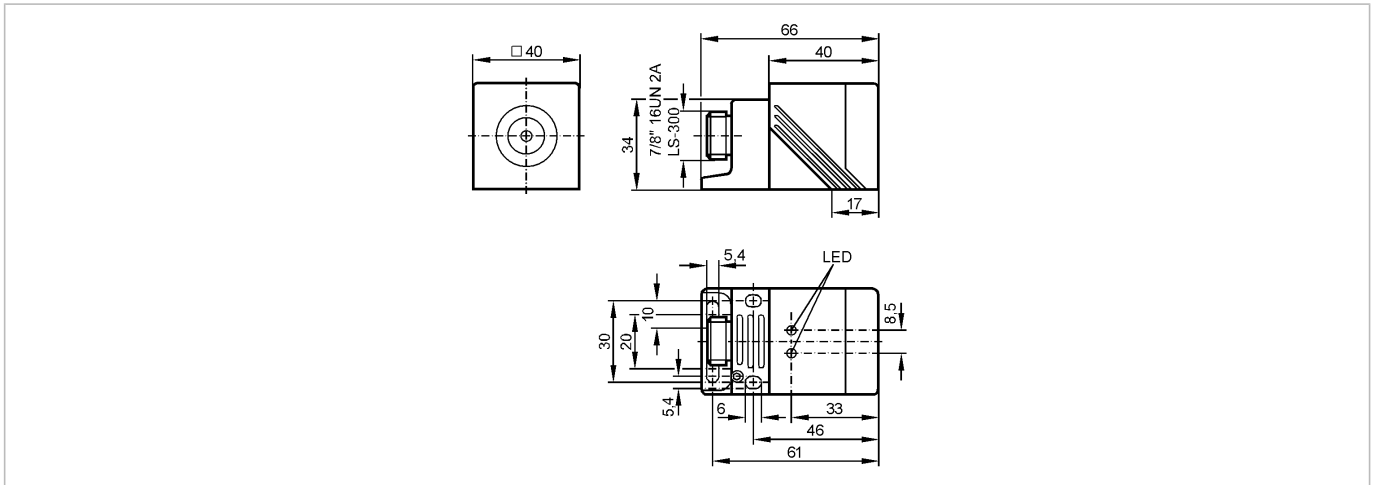


IM0042

IMC2035-ARKA/LS-300BL

Inductive sensors



Product characteristics

Inductive sensor
Rectangular, plastics
Quick disconnect
Increased sensing range
Sensing range 35 mm; [nf] non-flush mountable

Electrical data

Electrical design	AC/DC
Operating voltage [V]	20...140 AC / 10...140 DC (47...63 Hz AC)
Protection class	I
Reverse polarity protection	yes

Outputs

Output function	normally open
Voltage drop [V]	< 5.5
Minimum load current [mA]	5.5
Leakage current [mA]	< 1.7 (140 V AC/DC)
Current rating	
- Current rating (continuous) [mA]	450
- Current rating (peak) [mA]	î: 2.2 A (20 ms / 0.5 Hz)
Short-circuit protection	yes (non-latching)
Overload protection	yes
Switching frequency [Hz]	25 AC / 100 DC

Monitoring range

Sensing range [mm]	35
Operating distance [mm]	0...28.3

Accuracy / deviations

Correction factors	mild steel = 1 / stainless steel approx. 0.7 / brass approx. 0.4 / aluminium approx. 0.4 / copper approx. 0.3
Hysteresis [% of Sr]	3...15

Environment

Ambient temperature [°C]	-25...70
Protection	IP 67

IM0042

IMC2035-ARKA/LS-300BL

Inductive sensors

Tests / approvals

EMC		EN 60947-5-2
MTTF	[Years]	353

Mechanical data

Mounting		non-flush mountable
Housing materials		PPE; connector housing: brass; bracket: diecast zinc
Weight	[kg]	0.266

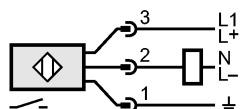
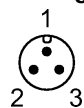
Displays / operating elements

Output status indication	LED	red
Power	LED	green

Electrical connection

Connection		7/8" connector
------------	--	----------------

Wiring



Remarks

Remarks		5 positions of the active zone possible
Pack quantity	[piece]	1