

no longer available - archive entry Alternative article: IM0055

When selecting an alternative article and accessories please note that technical data may differ!

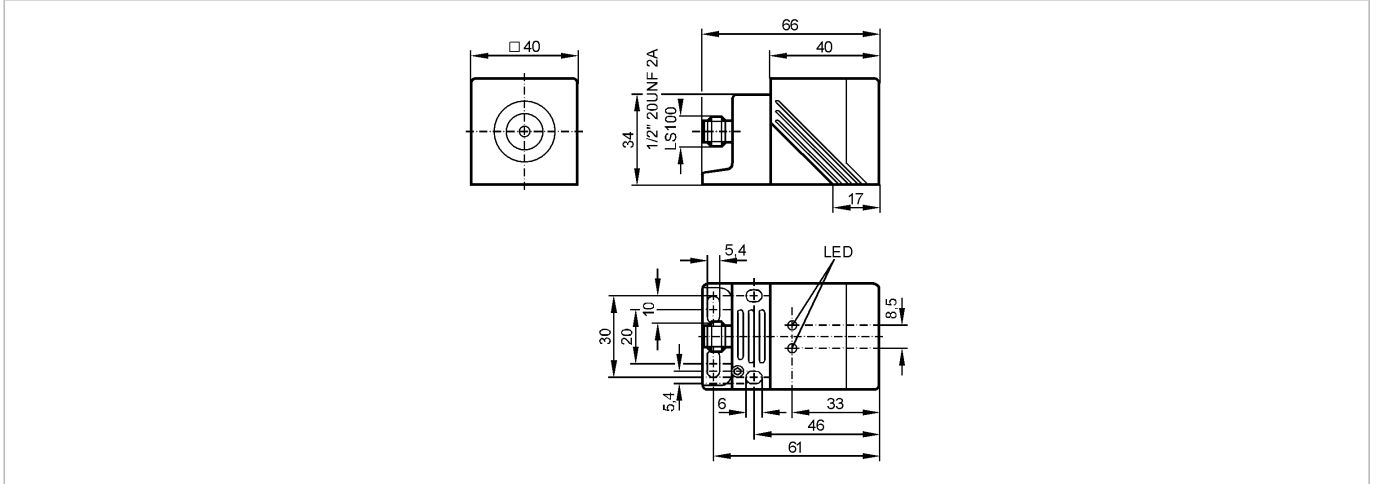
efectorio

IM0032



IMC2015UARKA/SC/LS-100AK

Inductive sensors



Product characteristics

Inductive sensor

Rectangular, plastics

Quick disconnect

Weld field immune

Sensing range 15 mm; [f] flush mountable

Electrical data

Electrical design

Operating voltage [V]

Protection class

Reverse polarity protection

Outputs

Output function

Voltage drop [V]

Minimum load current [mA]

Leakage current [mA]

Current rating

- Current rating (continuous) [mA]

- Current rating (peak) [mA]

Short-circuit protection

Overload protection

Switching frequency [Hz]

Monitoring range

Sensing range [mm]

Real sensing range (Sr) [mm]

Operating distance [mm]

Accuracy / deviations

Correction factors

Hysteresis [% of Sr]

Switch-point drift [% of Sr]

Environment

Ambient temperature [°C]

Protection

Tests / approvals

AC/DC

20...140 AC / 10...140 DC (47...63 Hz AC)

I

yes

normally open

< 5.5

5.5

< 1.7 (140 V AC/DC)

450

î: 2.2 A (20 ms / 0.5 Hz)

yes (non-latching)

yes

25 AC / 100 DC

15

15 ± 10 %

0...12.1

mild steel = 1 / stainless steel approx. 0.7 / brass approx. 0.4 / aluminium approx. 0.4 / copper approx. 0.3

3...15

-10...10

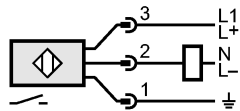
-25...70

IP 67

IM0032 - Inductive sensor - eclass: 27270101 / 27-27-01-01

EMC		EN 60947-5-2
MTTF	[Years]	352
Mechanical data		
Mounting		flush mountable
Housing materials		housing: PPE; cover: PEI PTFE-coated; connector housing: brass nickel-plated; bracket: diecast zinc
Weight	[kg]	0.232
Displays / operating elements		
Output status indication	LED	red
Power	LED	green
Function display	LED	green and red flashing alternately (short-circuit)
Electrical connection		
Connection		1/2" connector

Wiring



Remarks		
Remarks		5 positions of the active zone possible
Pack quantity	[piece]	1

ifm efector, inc. • 1100 Atwater Drive • Malvern • PA 19355 — We reserve the right to make technical alterations without prior notice. — US — IM0032 — 06.03.2003

no longer available - archive entry Alternative article: IM0055

When selecting an alternative article and accessories please note that technical data may differ!