

no longer available - archive entry

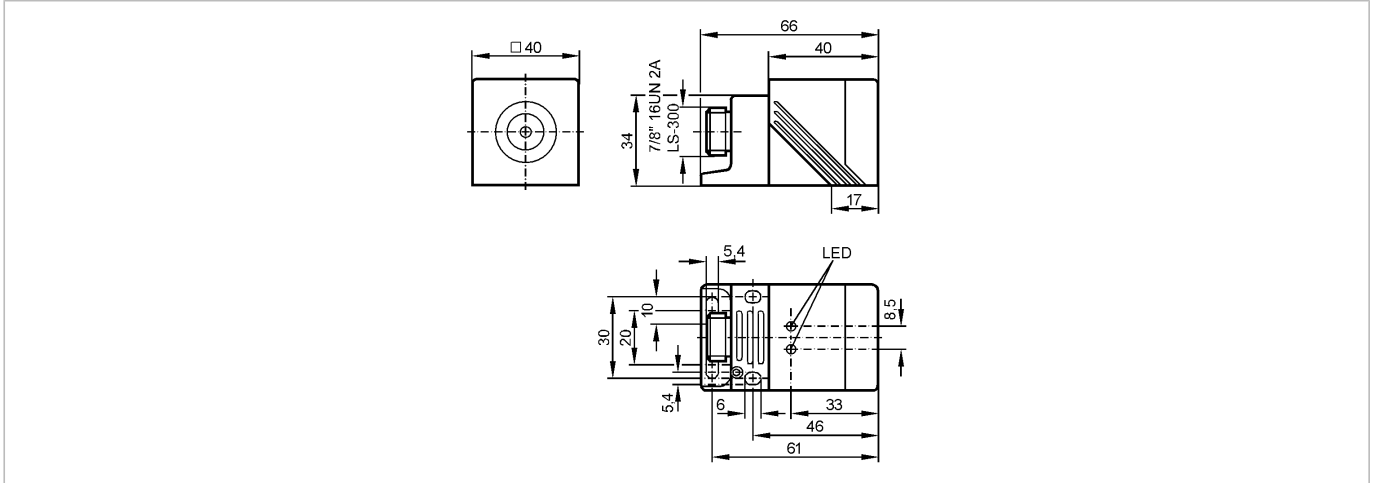
**efector100**

IM0031



IMC2015UARLA/SC/LS-300BL

Inductive sensors



Product characteristics

Inductive sensor

Rectangular, plastics

Quick disconnect

Weld field immune

Sensing range 15 mm; [f] flush mountable

Electrical data

Electrical design

Operating voltage [V]

AC/DC

20...140 AC / 10...140 DC (47...63 Hz AC)

Protection class

I

Reverse polarity protection

yes

Outputs

Output function

normally open

Voltage drop [V]

< 5.5

Minimum load current [mA]

5.5

Leakage current [mA]

< 1.7 (140 V AC/DC)

**Current rating**

- Current rating (continuous) [mA]

450

- Current rating (peak) [mA]

î: 2.2 A (20 ms / 0.5 Hz)

Short-circuit protection

latching

Overload protection

yes

Switching frequency [Hz]

25 AC / 100 DC

Monitoring range

Sensing range [mm]

15

Real sensing range (Sr) [mm]

15 ± 10 %

Operating distance [mm]

0...12.1

Accuracy / deviations

Correction factors

mild steel = 1 / stainless steel approx. 0.7 / brass approx. 0.4 / aluminium approx. 0.4 / copper approx. 0.3

Hysteresis [% of Sr]

3...15

Switch-point drift [% of Sr]

-10...10

Environment

Ambient temperature [°C]

-25...70

Protection

IP 67

Tests / approvals

EMC

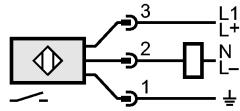
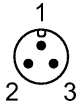
EN 60947-5-2

**IM0031 - Inductive sensor - eclass: 27270101 / 27-27-01-01**

Mechanical data

Mounting	flush mountable	
Housing materials	housing: PPE; cover: PEI PTFE-coated; connector housing: brass nickel-plated; bracket: diecast zinc	
Weight [kg]	0.243	
Displays / operating elements		
Output status indication	LED	red
Power	LED	green
Function display	LED	green and red flashing alternately (short-circuit)
Electrical connection		
Connection	7/8" connector	

**Wiring**



Remarks

Remarks	5 positions of the active zone possible	
Pack quantity [piece]	1	