

no longer available - archive entry Alternative article: I15800

When selecting an alternative article and accessories please note that technical data may differ!

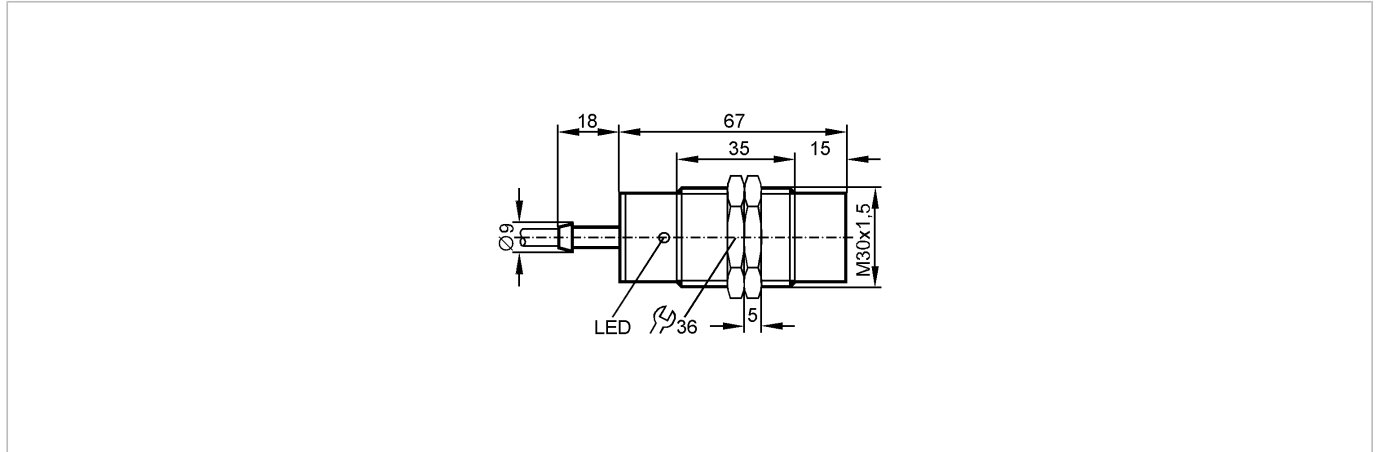
efector100

I15876



I1A4015-CPKG

Inductive sensors



Product characteristics

Inductive sensor

Metal thread M30 x 1.5

Cable

Sensing range 15 mm; [nfl] non-flush mountable

Electrical data

Electrical design

DC PNP

Operating voltage [V]

10...36 DC

Current consumption [mA]

15 (24 V)

Protection class

II

Reverse polarity protection

yes

Outputs

Output function

complementary

Voltage drop [V]

< 2.5

Current rating [mA]

250

Short-circuit protection

yes (non-latching)

Overload protection

yes

Switching frequency [Hz]

200

Monitoring range

Sensing range [mm]

15

Real sensing range (Sr) [mm]

15 ± 10 %

Operating distance [mm]

0...12.1

Accuracy / deviations

Correction factors

mild steel = 1 / stainless steel approx. 0.7 / brass approx. 0.5 / aluminium approx. 0.4 / copper approx. 0.3

Hysteresis [% of Sr]

3...15

Switch-point drift [% of Sr]

-10...10

Environment

Ambient temperature [°C]

-25...80

Protection

IP 67

Tests / approvals

EMC

EN 60947-5-2

EN 55011: class B

MTTF [Years]

1361

Mechanical data

Mounting

non-flush mountable

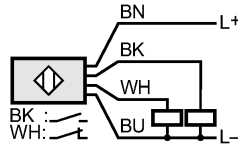
II5876 - Inductive sensor - eclass: 27270101 / 27-27-01-01

Housing materials	brass white bronze coated; PBT (Pocan)
Weight [kg]	0.22
Displays / operating elements	
Output status indication LED	yellow
Electrical connection	
Connection	PVC cable / 2 m; 4 x 0.34 mm ²

Wiring

Core colors

BK	black
BN	brown
BU	blue
WH	white



Accessories	
Accessories (included)	2 lock nuts
Remarks	
Pack quantity [piece]	1

ifm efector, inc. • 1100 Atwater Drive • Malvern • PA 19355 — We reserve the right to make technical alterations without prior notice. — US — II5876 — 06.03.2003

no longer available - archive entry Alternative article: II5800

When selecting an alternative article and accessories please note that technical data may differ!