

no longer available - archive entry Alternative article: II5829

When selecting an alternative article and accessories please note that technical data may differ!

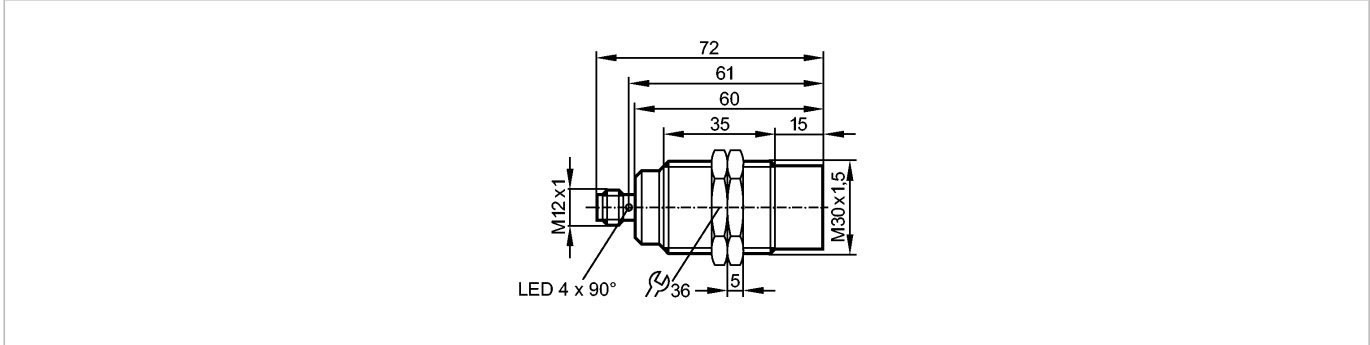
efector100

II5859



IIK2022-FRKG/SC/2LED/US-104IRF

Inductive sensors



Product characteristics

Inductive sensor
Metal thread M30 x 1.5
Quick disconnect
Increased sensing range
Optical setting aid (2 LED)
gold-plated contacts
Sensing range 22 mm; [nf] non-flush mountable

Electrical data	DC PNP/NPN	
Electrical design	10...36 DC; cULus - Class 2 source required	
Operating voltage [V]	II	
Protection class	yes	
Reverse polarity protection	normally open / closed programmable	
Outputs	< 4.6	
Output function	4	
Voltage drop [V]	< 1	
Minimum load current [mA]	100	
Leakage current [mA]	yes (non-latching)	
Current rating [mA]	yes	
Short-circuit protection	100	
Overload protection	22	
Switching frequency [Hz]	0...17.6	
Monitoring range	mild steel = 1 / stainless steel approx. 0.72 / brass approx. 0.5 / aluminium approx. 0.48 / copper approx. 0.42	
Sensing range [mm]	1...20	
Operating distance [mm]	-25...70	
Accuracy / deviations	IP 67	
Correction factors	EN 61000-4-2 ESD: 4 kV CD / 8 kV AD	
Hysteresis [% of Sr]	EN 61000-4-3 HF radiated: 10 V/m	
Environment	EN 61000-4-4 Burst: 2 kV	
Ambient temperature [°C]	EN 61000-4-5 Surge: 0.5 kV (line to line, Ri: 20hm)	
Protection	EN 61000-4-6 HF conducted: 10 V	
Tests / approvals	EN 55011: class B	
EMC	MTTF [Years] 816	

II5859 - Inductive sensor - eclass: 27270101 / 27-27-01-01

Mechanical data

Mounting	non-flush mountable	
Housing materials	housing: brass safe-coated; active face: PBT safe-coated; lock nuts: brass safe-coated	
Weight [kg]	0.211	
Displays / operating elements		
Output status indication LED	yellow (4 x 90°)	
Setting aid LED	red	
Electrical connection		
Connection	M12 connector	

Wiring



Accessories

Accessories (included)	2 lock nuts; 2 tooth lock washers	
Remarks		
Pack quantity [piece]	1	

ifm efector, inc. • 1100 Atwater Drive • Malvern • PA 19355 — We reserve the right to make technical alterations without prior notice. — US — II5859 — 21.01.2013

no longer available - archive entry Alternative article: II5829

When selecting an alternative article and accessories please note that technical data may differ!