

no longer available - archive entry Alternative article: IIC208

When selecting an alternative article and accessories please note that technical data may differ!

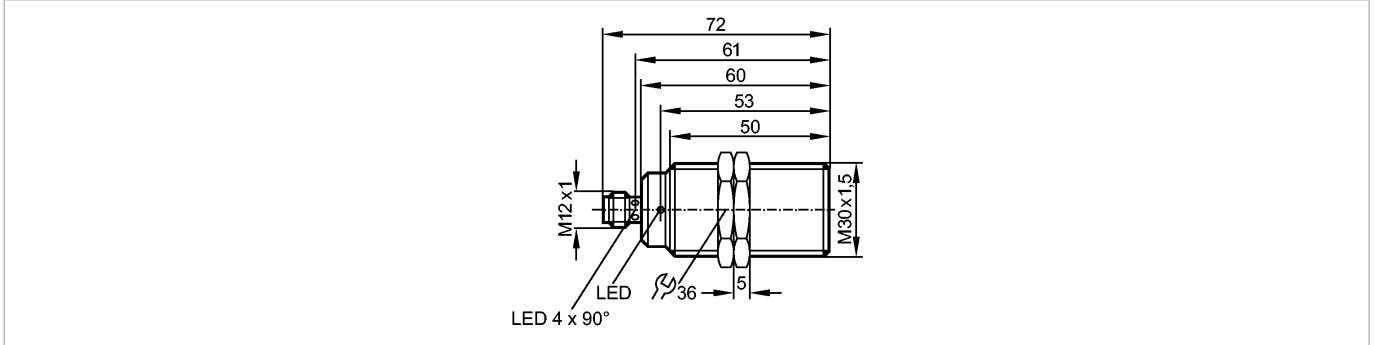
efector100

I15858



IIK2015BFRKG/SC/2LED/US-104IRF

Inductive sensors



Product characteristics

Inductive sensor

Metal thread M30 x 1.5

Quick disconnect

Increased sensing range

Optical setting aid (2 LED)

gold-plated contacts

Sensing range 15 mm; [f] flush mountable

Electrical data

Electrical design

DC PNP/NPN

Operating voltage [V]

10...36 DC; cULus - Class 2 source required

Protection class

II

Reverse polarity protection

yes

Outputs

Output function

normally open / closed programmable

Voltage drop [V]

< 4.6

Minimum load current [mA]

4

Leakage current [mA]

< 1

Current rating [mA]

100

Short-circuit protection

yes (non-latching)

Overload protection

yes

Switching frequency [Hz]

100

Monitoring range

Sensing range [mm]

15

Operating distance [mm]

0...12.1

Accuracy / deviations

Correction factors

mild steel = 1 / stainless steel approx. 0.7 / brass approx. 0.5 / aluminium approx. 0.5 / Cu approx. 0.4

Hysteresis [% of Sr]

1...20

Environment

Ambient temperature [°C]

-25...70

Protection

IP 67

Tests / approvals

EMC

EN 61000-4-2 ESD: 4 kV CD / 8 kV AD
 EN 61000-4-3 HF radiated: 10 V/m
 EN 61000-4-4 Burst: 2 kV
 EN 61000-4-5 Surge: 0.5 kV (line to line, Ri: 20Ω)
 EN 61000-4-6 HF conducted: 10 V
 EN 55011: class B

MTTF [Years]

822

II5858 - Inductive sensor - eclass: 27270101 / 27-27-01-01

Mechanical data

Mounting		flush mountable
Housing materials		housing: brass safe-coated; active face: PBT safe-coated; lock nuts: brass safe-coated
Weight	[kg]	0.22
Displays / operating elements		
Output status indication	LED	yellow (4 x 90°)
Setting aid	LED	red
Electrical connection		
Connection		M12 connector

Wiring



Accessories

Accessories (included)		2 lock nuts; 2 tooth lock washers
Remarks		
Pack quantity	[piece]	1

ifm efector, inc. • 1100 Atwater Drive • Malvern • PA 19355 — We reserve the right to make technical alterations without prior notice. — US — II5858 — 21.01.2013

no longer available - archive entry Alternative article: IIC208

When selecting an alternative article and accessories please note that technical data may differ!