

Auslaufartikel zum 31.03.2018

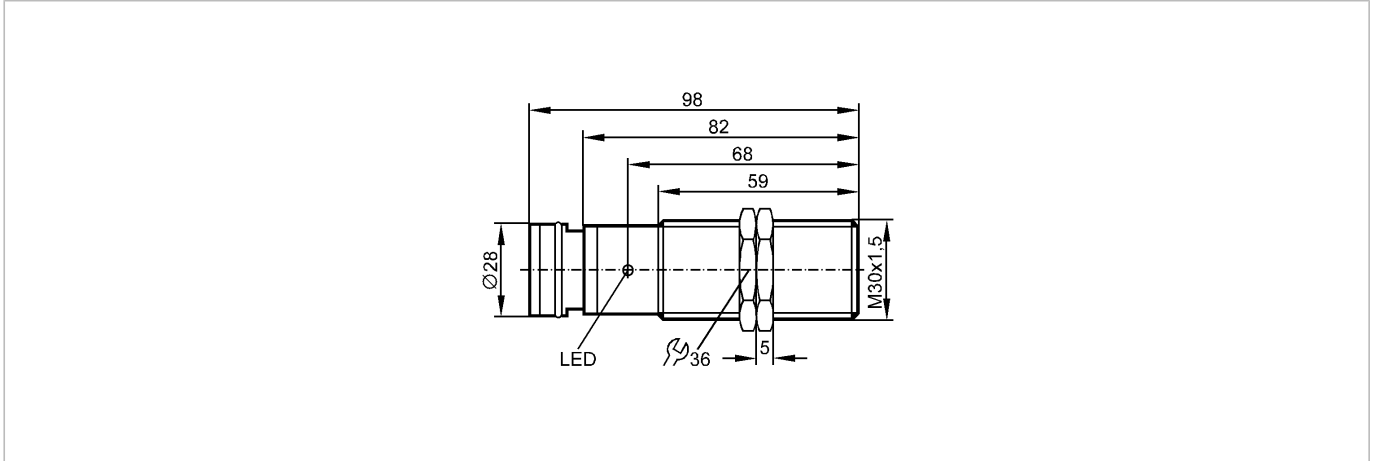
efector100

I15471



IIA3010-BPKG/TS-600-APS

Inductive sensors



Product characteristics

Inductive sensor	
Metal thread M30 x 1.5	
Quick disconnect	
Sensing range 10 mm; [f] flush mountable	
Electrical data	
Electrical design DC PNP	
Operating voltage [V]	10...36 DC
Current consumption [mA]	15 (24 V)
Protection class	II
Reverse polarity protection	yes
Outputs	
Output function normally open	
Current rating [mA]	250
Short-circuit protection	yes (non-latching)
Overload protection	yes
Switching frequency [Hz]	250
Monitoring range	
Sensing range [mm]	10
Real sensing range (Sr) [mm]	10 ± 10 %
Operating distance [mm]	0...8.1
Accuracy / deviations	
Correction factors	mild steel = 1 / stainless steel approx. 0.7 / brass approx. 0.4 / aluminium approx. 0.3 / copper approx. 0.2
Hysteresis [% of Sr]	1...15
Switch-point drift [% of Sr]	-10...10
Environment	
Ambient temperature [°C]	-25...80
Protection	IP 65
Tests / approvals	
EMC	EN 60947-5-2 EN 55011: class B
MTTF [Years]	1853
Mechanical data	
Mounting	flush mountable
Housing materials	brass nickel-plated; CO-PC
Weight [kg]	0.219

II5471 - Inductive sensor - eclass: 27270101 / 27-27-01-01

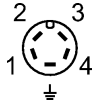
Displays / operating elements

Output status indication LED | yellow

Electrical connection

Connection | Ø 28 mm connector

Wiring



Accessories

Accessories (included) | 2 lock nuts

Remarks

Pack quantity [piece] | 1

ifm efector, inc. • 1100 Atwater Drive • Malvern • PA 19355 — We reserve the right to make technical alterations without prior notice. — US — II5471 — 06.03.2003

Auslaufartikel zum 31.03.2018