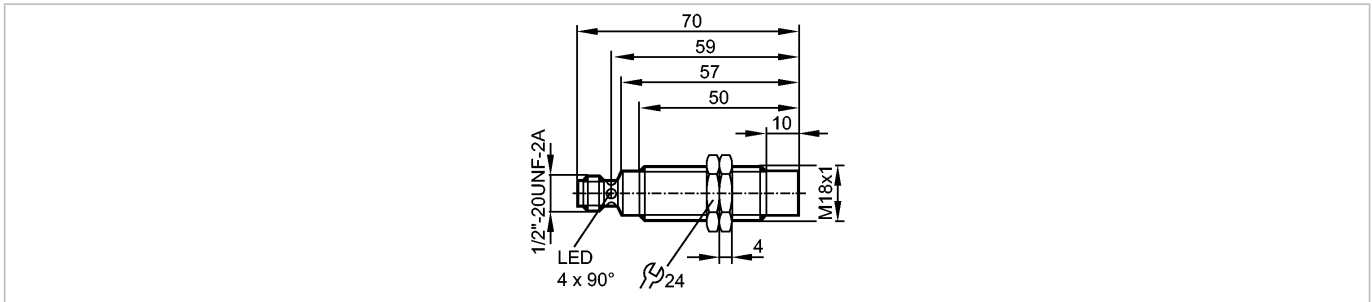


IGT001

IGK2012-ARKA/MV4A/LS-104AK

Inductive sensors



Product characteristics	
Inductive sensor	
Metal thread M18 x 1	
Quick disconnect	
Sensing range 12 mm; [nf] non-flush mountable	
Electrical data	
Electrical design	AC/DC
Operating voltage [V]	20...140 AC/DC
Protection class	II
Reverse polarity protection	yes
Outputs	
Output function	normally open
Voltage drop [V]	< 5.5
Minimum load current [mA]	5
Leakage current [mA]	< 1
Current rating	
- Current rating (continuous) [mA]	80; 200 (...80 °C)
- Current rating (peak) [mA]	î: 1.2 A (20 ms / 0.5 Hz)
Short-circuit protection	yes (non-latching)
Overload protection	yes
Switching frequency [Hz]	25 AC / 300 DC
Monitoring range	
Sensing range [mm]	12
Real sensing range (Sr) [mm]	12 ± 10 %
Operating distance [mm]	0...9.7
Accuracy / deviations	
Correction factors	mild steel = 1 / stainless steel approx. 0.7 / brass approx. 0.5 / aluminium approx. 0.4 / copper approx. 0.3
Hysteresis [% of Sr]	1...20
Switch-point drift [% of Sr]	-10...10
Reaction times	
Power-on delay time [s]	1
Environment	
Ambient temperature [°C]	0...100
Protection	IP 68 / IP 69K; "COP"
Tests / approvals	
EMC	EN 61000-4-2 ESD: 4 kV CD / 8 kV AD

IGT001

IGK2012-ARKA/MV4A/LS-104AK

Inductive sensors

	EN 61000-4-3 HF radiated:	10 V/m
	EN 61000-4-4 Burst:	2 kV
	EN 61000-4-5 Surge:	0.5 kV (line to line, Ri: 20hm)
	EN 61000-4-6 HF conducted:	10 V
	EN 55011:	class B
MTTF	[Years]	394

Mechanical data

Mounting	non-flush mountable	
Housing materials	threaded sleeve: stainless steel (316L); active face: PEEK (polyether ether ketone); lock nuts: high-grade stainless steel	
Weight	[kg]	0.06

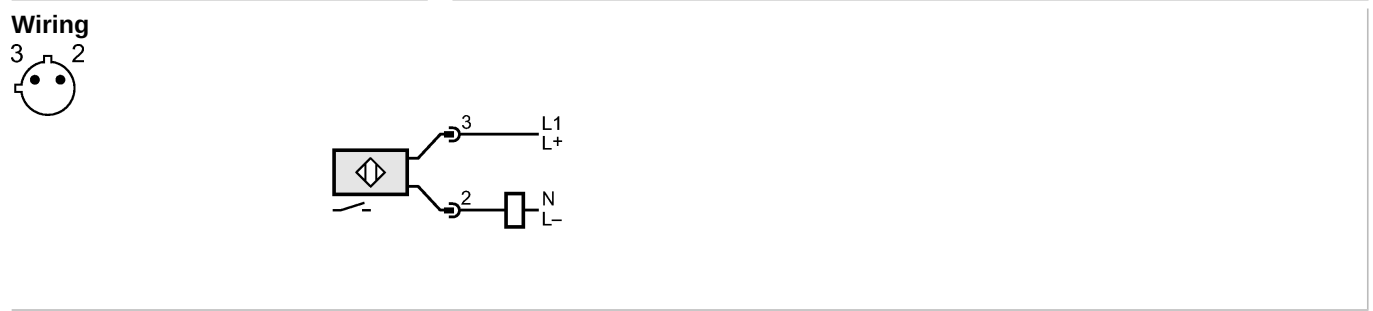
Displays / operating elements

Output status indication	LED	yellow (4 x 90°)
--------------------------	-----	------------------

Electrical connection

Connection	1/2" UNF-Connector	
------------	--------------------	--

Wiring



The diagram shows a 3-pin connector with terminals labeled 2 and 3. Terminal 3 is connected to a line labeled L1 (L+). Terminal 2 is connected to a load (represented by a rectangle) and then to a line labeled N (L-). Terminal 1 is not connected.

Accessories

Accessories (included)	2 lock nuts	
------------------------	-------------	--

Remarks

Pack quantity	[piece]	1
---------------	---------	---