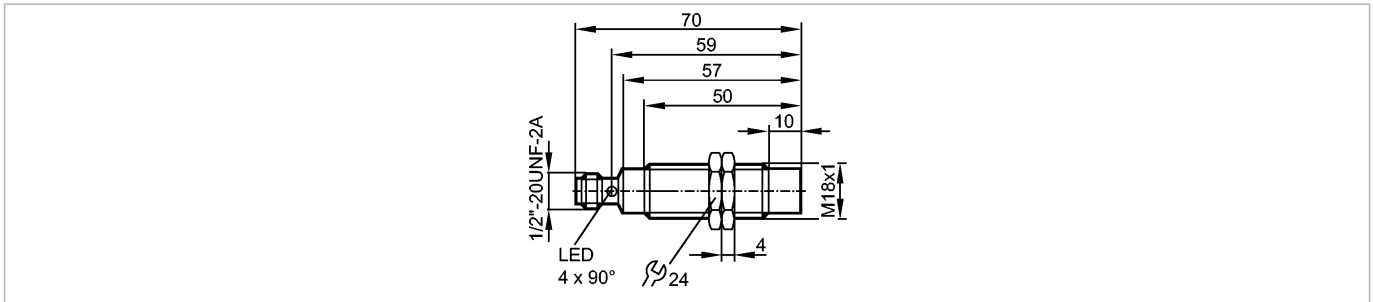


**IGS002**

IGK2012-ARKA/MLS-104AK

Inductive sensors



**Product characteristics**

Inductive sensor
Metal thread M18 x 1
Quick disconnect
Increased sensing range
gold-plated contacts
Sensing range 12 mm; [nf] non-flush mountable

**Electrical data**

Electrical design	AC/DC
Operating voltage [V]	20...140 AC/DC (47...63 Hz AC)
Protection class	II
Reverse polarity protection	yes

**Outputs**

Output function	normally open
Voltage drop [V]	< 5.5
Minimum load current [mA]	5
Leakage current [mA]	< 1
<b>Current rating</b>	
- Current rating (continuous) [mA]	200
- Current rating (peak) [mA]	î: 1.2 A (20 ms / 0.5 Hz)
Short-circuit protection	yes (non-latching)
Overload protection	yes
Switching frequency [Hz]	25

**Monitoring range**

Sensing range [mm]	12
Real sensing range (Sr) [mm]	12 ± 10 %
Operating distance [mm]	0...9.7

**Accuracy / deviations**

Correction factors	mild steel = 1 / stainless steel approx. 0.7 / brass approx. 0.5 / aluminium approx. 0.4 / copper approx. 0.3
Hysteresis [% of Sr]	3...15
Switch-point drift [% of Sr]	-10...10

**Environment**

Ambient temperature [°C]	-25...70
Protection	IP 67

**Tests / approvals**

EMC	EN 61000-4-2 ESD:	4 kV CD / 8 kV AD
-----	-------------------	-------------------

**IGS002**

IGK2012-ARKA/M/LS-104AK

**Inductive sensors**

	EN 61000-4-3 HF radiated:	10 V/m
	EN 61000-4-4 Burst:	2 kV
	EN 61000-4-6 HF conducted:	10 V
	EN 55011:	class B
MTTF	[Years]	394

**Mechanical data**

Mounting	non-flush mountable
Housing materials	brass white bronze coated; PBT (Pocan)
Weight	[kg] 0.06

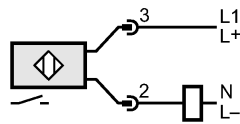
**Displays / operating elements**

Output status indication	LED	yellow (4 x 90°)
--------------------------	-----	------------------

**Electrical connection**

Connection	1/2" connector; gold-plated contacts
------------	--------------------------------------

**Wiring**



**Accessories**

Accessories (included)	2 lock nuts
------------------------	-------------

**Remarks**

Pack quantity	[piece]	1
---------------	---------	---