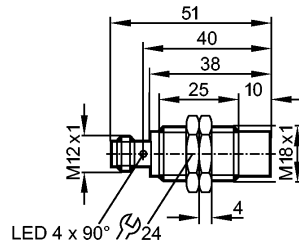


IGC201

IGB2012-ARKG/M/US-104-DRS

Inductive sensors



Product characteristics

Inductive sensor
Metal thread M18 x 1
Quick disconnect
Increased sensing range
gold-plated contacts
Sensing range 12 mm; [nf] non-flush mountable

Electrical data

Electrical design	DC PNP/NPN
Operating voltage [V]	10...30 DC
Protection class	II
Reverse polarity protection	yes

Outputs

Output function	normally open
Voltage drop [V]	< 2.5
Minimum load current [mA]	2
Leakage current [mA]	< 0.5
Current rating [mA]	100
Short-circuit protection	yes (non-latching)
Overload protection	yes
Switching frequency [Hz]	250

Monitoring range

Sensing range [mm]	12
Real sensing range (Sr) [mm]	12 ± 10 %
Operating distance [mm]	0...9.7

Accuracy / deviations

Correction factors	mild steel = 1 / stainless steel approx. 0.7 / brass approx. 0.5 / aluminium approx. 0.4 / copper approx. 0.3
Hysteresis [% of Sr]	3...15
Switch-point drift [% of Sr]	-10...10

Environment

Ambient temperature [°C]	-25...70
Protection	IP 68; "Coolant"

Tests / approvals

EMC	EN 61000-4-2 ESD: 4 kV CD / 8 kV AD
	EN 61000-4-3 HF radiated: 10 V/m
	EN 61000-4-4 Burst: 2 kV

IGC201

IGB2012-ARKG/M/US-104-DRS

Inductive sensors

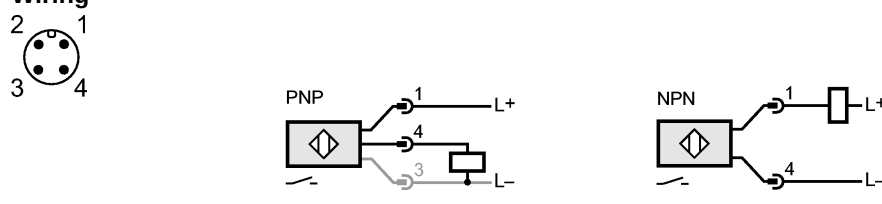
	EN 61000-4-6 HF conducted:	10 V
	EN 55011:	class B
MTTF	[Years]	2655

Mechanical data		
Mounting		non-flush mountable
Housing materials		housing: brass white bronze coated; active face: LCP
Weight	[kg]	0.045

Displays / operating elements		
Output status indication	LED	yellow (4 x 90°)

Electrical connection		
Connection		M12 connector; gold-plated contacts

Wiring



Accessories		
Accessories (included)		2 lock nuts

Remarks		
Remarks		Conventional 3-wire pnp sensors can be replaced. In this case pin 3 (grey in the wiring diagram) is not used.
Pack quantity	[piece]	1