

no longer available - archive entry Alternative article: IG5806

When selecting an alternative article and accessories please note that technical data may differ!

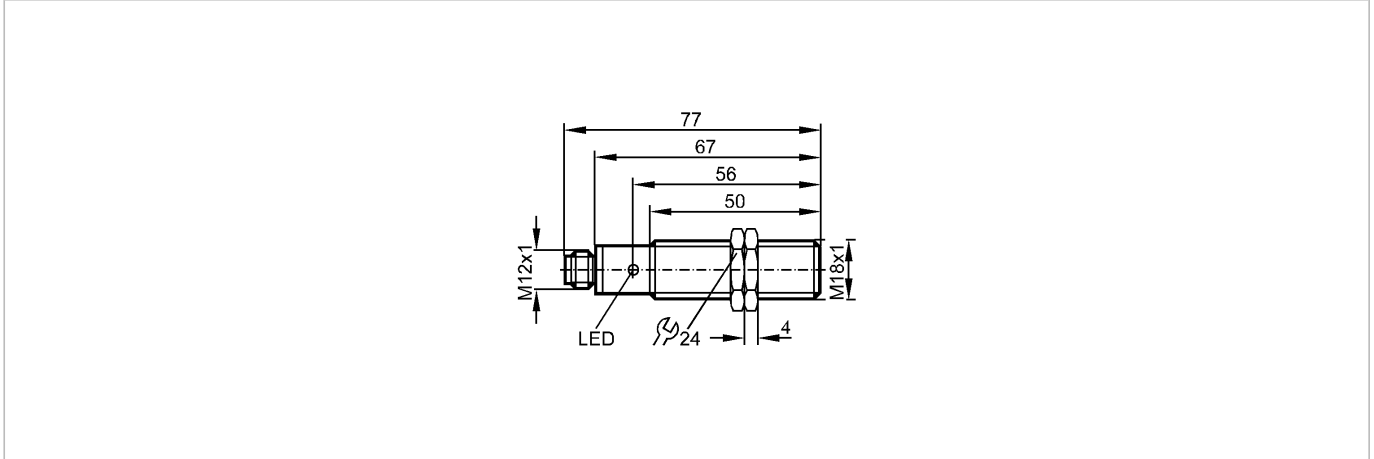
**efector100**

IG5771



IGA2005-FRKG/V4A/US-100-IRF/RT

Inductive sensors



Product characteristics

Inductive sensor

Metal thread M18 x 1

Quick disconnect

Sensing range 5 mm; [f] flush mountable

Electrical data

Electrical design

DC PNP/NPN

Operating voltage [V]

10...55 DC

Protection class

II

Reverse polarity protection

yes

Outputs

Output function

normally open / closed programmable

Voltage drop [V]

< 4.6

Minimum load current [mA]

4

Leakage current [mA]

< 0.6

Current rating [mA]

400

Short-circuit protection

yes (non-latching)

Overload protection

yes

Switching frequency [Hz]

700

Monitoring range

Sensing range [mm]

5

Real sensing range (Sr) [mm]

5 ± 10 %

Operating distance [mm]

0...4.05

Accuracy / deviations

Correction factors

mild steel = 1 / stainless steel approx. 0.7 / brass approx. 0.4 / aluminium approx. 0.4 / copper approx. 0.3

Hysteresis [% of Sr]

3...15

Switch-point drift [% of Sr]

-10...10

Environment

Ambient temperature [°C]

-25...80

Protection

IP 67

Tests / approvals

EMC

EN 60947-5-2

EN 55011:

class B

MTTF [Years]

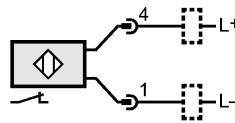
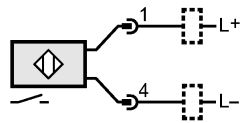
1835

Mechanical data

# IG5771 - Inductive sensor - eclass: 27270101 / 27-27-01-01

Mounting	flush mountable
Housing materials	stainless steel 316Ti / 1.4571; PBT
Weight [kg]	0.068
Displays / operating elements	
Output status indication LED	red
Electrical connection	
Connection	M12 connector

## Wiring



Accessories	
Accessories (included)	2 lock nuts
Remarks	
Pack quantity [piece]	1

ifm efector, inc. • 1100 Atwater Drive • Malvern • PA 19355 — We reserve the right to make technical alterations without prior notice. — US — IG5771 — 06.03.2003

no longer available - archive entry Alternative article: IG5806

When selecting an alternative article and accessories please note that technical data may differ!