

no longer available - archive entry Alternative article: IG0400

When selecting an alternative article and accessories please note that technical data may differ!

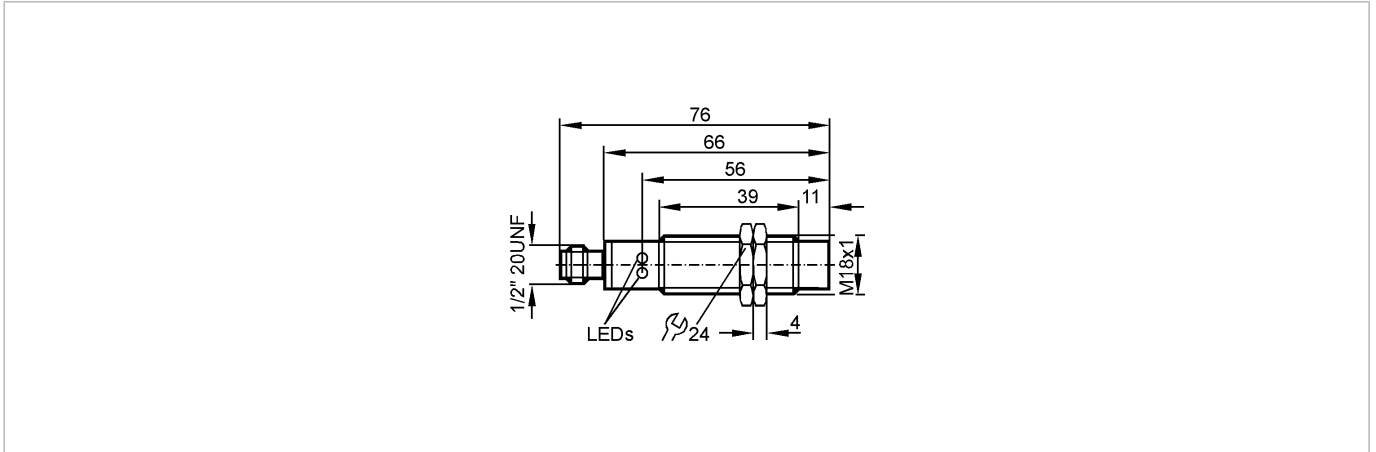
efectorio

IG0334



IGA2008UARKA/SC/SL/LS-100AK

Inductive sensors



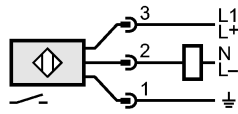
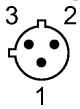
Product characteristics

Inductive sensor	
Metal thread M18 x 1	
Quick disconnect	
Weld field immune	
Sensing range 8 mm; [nf] non-flush mountable	
Electrical data	
Electrical design	AC/DC
Operating voltage [V]	20...140 AC/DC (47...63 Hz AC)
Protection class	I
Reverse polarity protection	no
Outputs	
Output function	normally open
Voltage drop [V]	< 5.5
Minimum load current [mA]	5.5
Leakage current [mA]	< 1.7 (140 V AC/DC)
Current rating [mA]	300 AC / 420 DC
Short-circuit protection	yes (non-latching)
Overload protection	yes
Switching frequency [Hz]	25 AC / 500 DC
Monitoring range	
Sensing range [mm]	8
Real sensing range (Sr) [mm]	8 ± 10 %
Operating distance [mm]	0...6.5
Accuracy / deviations	
Correction factors	mild steel = 1 / stainless steel approx. 0.7 / brass approx. 0.4 / aluminium approx. 0.3 / copper approx. 0.2
Hysteresis [% of Sr]	3...15
Switch-point drift [% of Sr]	-10...10
Environment	
Ambient temperature [°C]	-25...70
Protection	IP 67
Tests / approvals	
EMC	EN 60947-5-2 EN 55011: class B
MTTF [Years]	359

IG0334 - Inductive sensor - eclass: 27270101 / 27-27-01-01

Mechanical data		
Mounting		non-flush mountable
Housing materials		brass; active face: PC (polycarbonate); fully PTFE-coated
Weight	[kg]	0.073
Displays / operating elements		
Output status indication	LED	red
Power	LED	green
Function display	LED	green and red flashing alternately (short-circuit)
Electrical connection		
Connection		1/2" connector

Wiring



Accessories		
Accessories (included)		2 lock nuts
Remarks		
Pack quantity	[piece]	1

ifm efector, inc. • 1100 Atwater Drive • Malvern • PA 19355 — We reserve the right to make technical alterations without prior notice. — US — IG0334 — 06.03.2003

no longer available - archive entry Alternative article: IG0400

When selecting an alternative article and accessories please note that technical data may differ!