

no longer available - archive entry

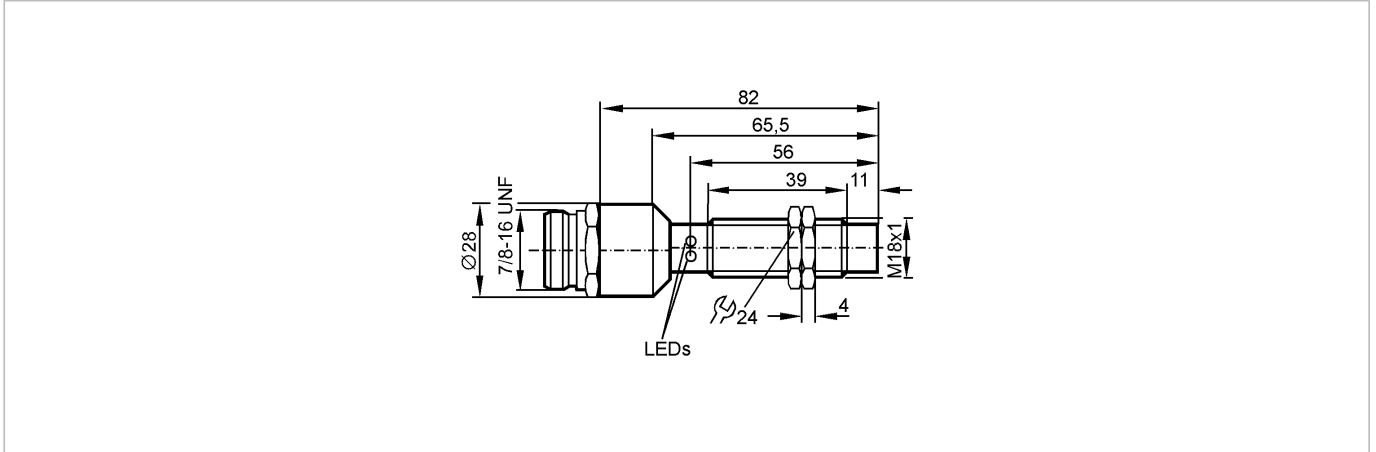
efector100

IG0332



IGA2008UARKA/SC/SL/LS-300BL

Inductive sensors



Product characteristics

Inductive sensor

Metal thread M18 x 1

Quick disconnect

Weld field immune

Sensing range 8 mm; [nf] non-flush mountable

Electrical data

Electrical design

Operating voltage [V]

AC/DC
20...140 AC/DC (47...63 Hz AC)

Protection class

I

Reverse polarity protection

no

Outputs

Output function

normally open

Voltage drop [V]

< 5.5

Minimum load current [mA]

5.5

Leakage current [mA]

< 1.7 (140 V AC/DC)

Current rating [mA]

300 AC / 420 DC

Short-circuit protection

yes (non-latching)

Overload protection

yes

Switching frequency [Hz]

25 AC / 500 DC

Monitoring range

Sensing range [mm]

8

Real sensing range (Sr) [mm]

8 ± 10 %

Operating distance [mm]

0...6.5

Accuracy / deviations

Correction factors

mild steel = 1 / stainless steel approx. 0.7 / brass approx. 0.4 / aluminium approx. 0.3 / copper approx. 0.2

Hysteresis [% of Sr]

3...15

Switch-point drift [% of Sr]

-10...10

Environment

Ambient temperature [°C]

-25...70

Protection

IP 67

Tests / approvals

EMC

EN 60947-5-2

EN 55011:

class B

MTTF [Years]

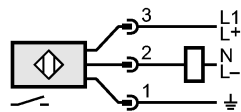
359

Mechanical data

IG0332 - Inductive sensor - eclass: 27270101 / 27-27-01-01

Mounting		non-flush mountable
Housing materials		brass; active face: PC (polycarbonate); fully PTFE-coated
Weight	[kg]	0.155
Displays / operating elements		
Output status indication	LED	red
Power	LED	green
Function display	LED	green and red flashing alternately (short-circuit)
Electrical connection		
Connection		7/8" connector

Wiring



Accessories		
Accessories (included)		2 lock nuts
Remarks		
Pack quantity	[piece]	1

ifm efector, inc. • 1100 Atwater Drive • Malvern • PA 19355 — We reserve the right to make technical alterations without prior notice. — US — IG0332 — 06.03.2003
no longer available - archive entry