

no longer available - archive entry Alternative article: IG0231

When selecting an alternative article and accessories please note that technical data may differ!

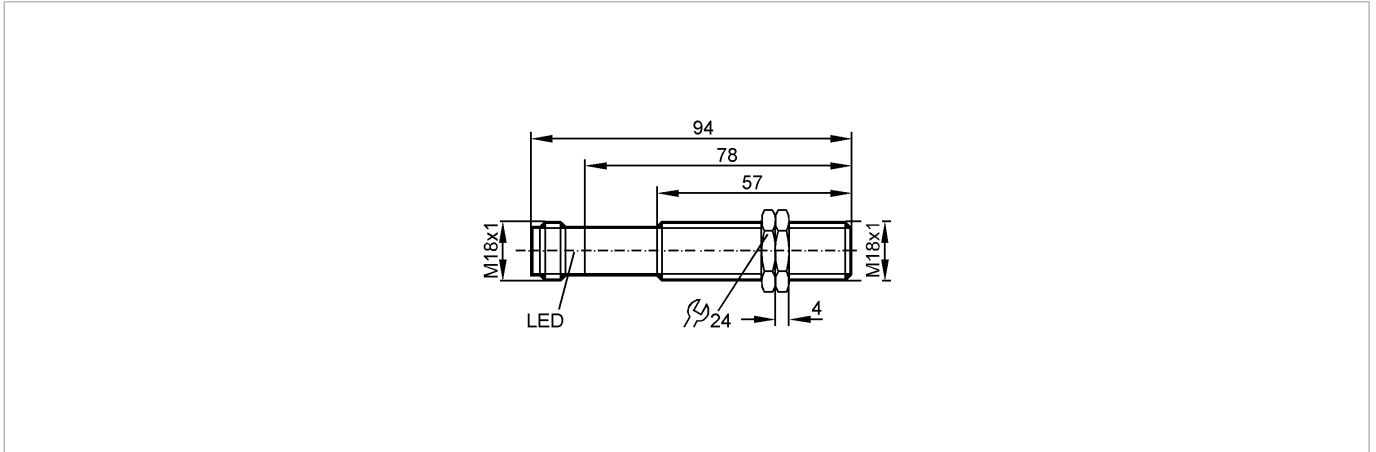
efectorio

IG0312



IGA2005-ABOA/BS-201-A/94/RT

Inductive sensors



Product characteristics

Inductive sensor

Metal thread M18 x 1

Quick disconnect

Sensing range 5 mm; [f] flush mountable

Electrical data

Electrical design

AC/DC

Operating voltage [V]

20...250 AC/DC

Protection class

II

Reverse polarity protection

no

Outputs

Output function

normally open

Voltage drop [V]

< 6.5 AC / < 6 DC

Minimum load current [mA]

5

Leakage current [mA]

< 2.5 (250 V AC) / < 1.3 (110 V AC) / < 0.8 (24 V DC)

Current rating

- Current rating (continuous) [mA]

250 AC / 100 DC; 350 AC (...50 °C)

- Current rating (peak) [mA]

î: 2.2 A (20 ms / 0.5 Hz)

Short-circuit proof

no

Overload protection

no

Switching frequency [Hz]

25

Monitoring range

Sensing range [mm]

5

Real sensing range (Sr) [mm]

5 ± 10 %

Operating distance [mm]

0...4.05

Accuracy / deviations

Correction factors

mild steel = 1 / stainless steel approx. 0.7 / brass approx. 0.5 / aluminium approx. 0.4 / copper approx. 0.3

Hysteresis [% of Sr]

3...15

Switch-point drift [% of Sr]

-10...10

Environment

Ambient temperature [°C]

-25...80

Protection

IP 67

Tests / approvals

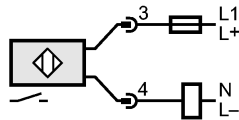
EMC

EN 61000-4-2 ESD: 4 kV CD / 8 kV AD
EN 61000-4-3 HF radiated: 10 V/m

IG0312 - Inductive sensor - eclass: 27270101 / 27-27-01-01

		EN 61000-4-4 Burst: 2 kV EN 61000-4-5 Surge: 0.5 kV (line to line, Ri: 20hm) EN 61000-4-6 HF conducted: 10 V EN 55011 (Emission): class B
MTTF	[Years]	609
Mechanical data		
Mounting		flush mountable
Housing materials		housing: brass white bronze coated; active face: PC (polycarbonate); lock nuts: brass
Weight	[kg]	0.076
Displays / operating elements		
Output status indication	LED	red
Electrical connection		
Connection		M18 connector

Wiring



Note: miniature fuse to IEC60127-2 sheet 1, ≤ 2 A (fast acting)

Accessories		
Accessories (included)		2 lock nuts
Remarks		
Remarks		Recommendation: check the unit for reliable function after a short circuit.
Pack quantity	[piece]	1

ifm efector, inc. • 1100 Atwater Drive • Malvern • PA 19355 — We reserve the right to make technical alterations without prior notice. — US — IG0312 — 13.11.2007
no longer available - archive entry Alternative article: IG0231

When selecting an alternative article and accessories please note that technical data may differ!