

no longer available - archive entry Alternative article: IG0011

When selecting an alternative article and accessories please note that technical data may differ!

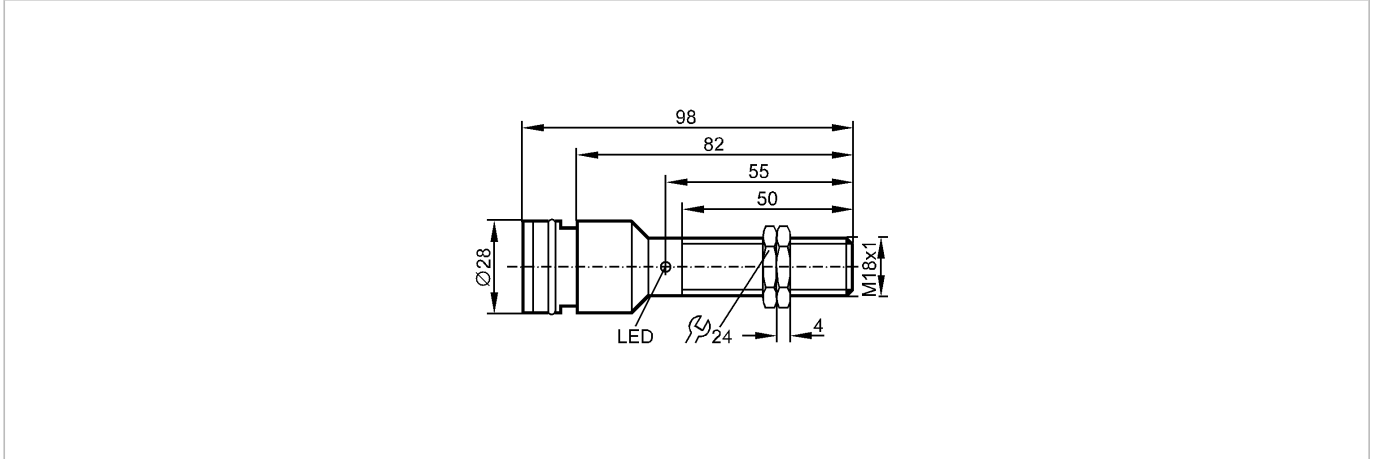
efectorio

IG0226



IGA2005-ABOA/SL/TS-600-A

Inductive sensors



Product characteristics

Inductive sensor

Metal thread M18 x 1

Quick disconnect

Sensing range 5 mm; [f] flush mountable

Electrical data

Electrical design

AC/DC

Operating voltage [V]

20...250 AC/DC

Reverse polarity protection

no

Outputs

Output function

normally open

Voltage drop [V]

< 6.5 AC / < 6 DC

Minimum load current [mA]

5

Leakage current [mA]

< 2.5 (250 V AC) / < 1.3 (110 V AC) / < 0.8 (24 V DC)

Current rating

- Current rating (continuous) [mA]

250 AC / 100 DC; 350 AC (...50 °C)

- Current rating (peak) [mA]

î: 2.2 A (20 ms / 0.5 Hz)

Short-circuit proof

no

Overload protection

no

Switching frequency [Hz]

25 AC / 50 DC

Monitoring range

Sensing range [mm]

5

Real sensing range (Sr) [mm]

5 ± 10 %

Operating distance [mm]

0...3.25

Accuracy / deviations

Correction factors

mild steel = 1 / stainless steel approx. 0.7 / brass approx. 0.4 / aluminium approx. 0.3 / copper approx. 0.2

Hysteresis [% of Sr]

1...15

Switch-point drift [% of Sr]

-10...10

Environment

Ambient temperature [°C]

-25...80

Protection

IP 65

Tests / approvals

EMC

EN 60947-5-2

EN 55011:

class B

MTTF [Years]

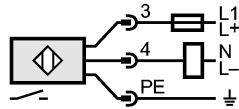
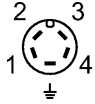
609

IG0226 - Inductive sensor - eclass: 27270101 / 27-27-01-01

Mechanical data

Mounting	flush mountable
Housing materials	brass white bronze coated; PC (polycarbonate)
Weight [kg]	0.166
Displays / operating elements	
Output status indication LED	yellow
Electrical connection	
Connection	Ø 28 mm connector

Wiring



Note: miniature fuse to IEC60127-2 sheet 1,
 ≤ 2 A (fast acting)

Accessories

Accessories (included)	2 lock nuts
Remarks	
Remarks	Recommendation: check the unit for reliable function after a short circuit.
Pack quantity [piece]	1

ifm efector, inc. • 1100 Atwater Drive • Malvern • PA 19355 — We reserve the right to make technical alterations without prior notice. — US — IG0226 — 06.03.2003
 no longer available - archive entry Alternative article: IG0011

When selecting an alternative article and accessories please note that technical data may differ!