

no longer available - archive entry

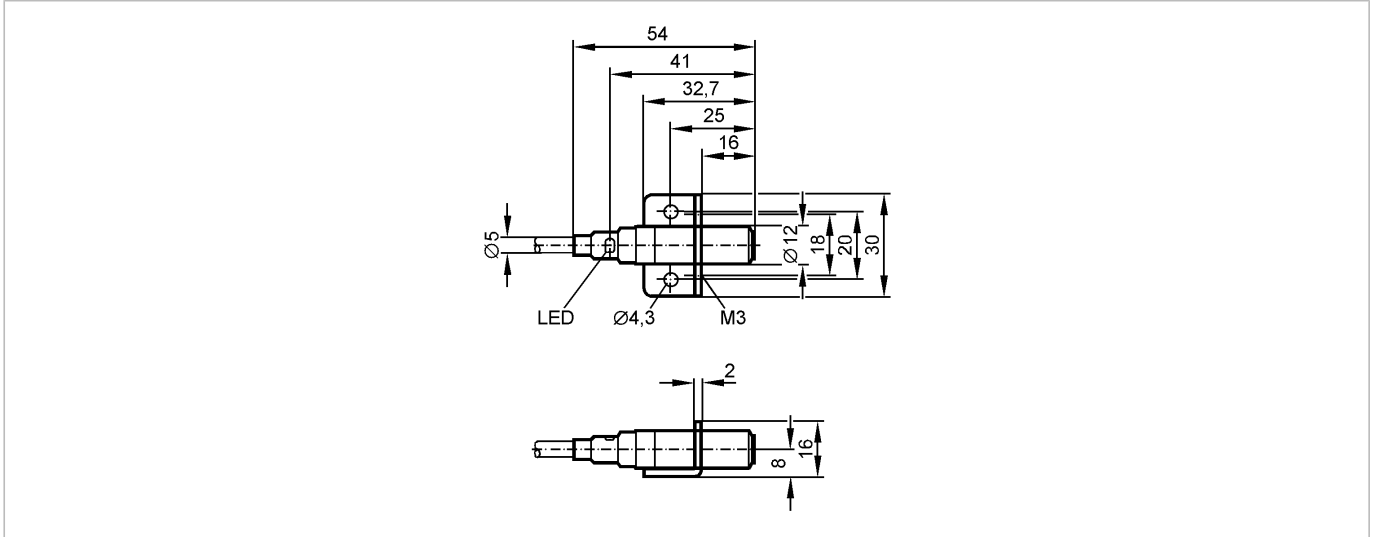
efector100

IFC221



IFG2004-BRKG/M/7.00M/ /PH

Inductive sensors



Product characteristics

Inductive sensor

Metal housing Ø 12 mm

Cable

Sensing range 4 mm; [nf] non-flush mountable

Electrical data

Electrical design

DC PNP/NPN

Operating voltage [V]

10...36 DC

Protection class

II

Reverse polarity protection

yes

Outputs

Output function

normally closed

Voltage drop [V]

< 2.5

Minimum load current [mA]

2

Leakage current [mA]

< 0.4

Current rating [mA]

100

Short-circuit protection

yes (non-latching)

Overload protection

yes

Switching frequency [Hz]

700

Monitoring range

Sensing range [mm]

4

Operating distance [mm]

0...3.25

Accuracy / deviations

Correction factors

mild steel = 1 / stainless steel approx. 0.7 / brass approx. 0.5 / aluminium approx. 0.4 / copper approx. 0.3

Hysteresis [% of Sr]

1...20

Environment

Ambient temperature [°C]

-25...70

Protection

IP 68; "Coolant"

Tests / approvals

EMC

EN 61000-4-2 ESD: 4 kV CD / 8 kV AD
 EN 61000-4-3 HF radiated: 10 V/m
 EN 61000-4-4 Burst: 2 kV
 EN 61000-4-6 HF conducted: 10 V
 EN 55011: class B

IFC221 - Inductive sensor - eclass: 27270101 / 27-27-01-01

Mechanical data

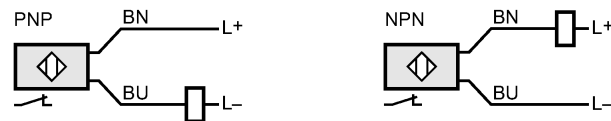
Mounting	non-flush mountable
Housing materials	active face: LCP; housing: stainless steel; Angle bracket: stainless steel; LED window: PEI
Weight [kg]	0.234
Displays / operating elements	
Output status indication LED	yellow
Electrical connection	
Connection	PUR / PVC cable / 7 m; 2 x 0.34 mm ²

Wiring

Core colors

BN brown

BU blue



Remarks

Pack quantity [piece]	1
-----------------------	---

ifm efector, inc. • 1100 Atwater Drive • Malvern • PA 19355 — We reserve the right to make technical alterations without prior notice. — US — IFC221 — 13.01.2017

no longer available - archive entry